

Jan 13



## **Dual Beam AO Modulator Driver**

**Including: Optical Alignment**

**DBM1186-G51-9**

**DBM1186-G54-9**

## **Instruction Manual,**

### **iSA250-4 Series**

## **Quad output RF Synthesizer and Amplifier**

Models -

iSA251-4-xxx : 50.9MHz 4-channel phase steered, 200W total RF output  
(optimized for 10.6um)

iSA254-4-xxx : 54.0MHz 4-channel phase steered, 200W total RF output  
(optimized for 9.3um)

Options –xxx, combinations possible

- V : 0-5V analog modulation range  
- BR : Brass water cooled heatsink

ISOMET CORP, 5263 Port Royal Rd, Springfield, VA 22151, USA.  
Tel: (703) 321 8301, Fax: (703) 321 8546, e-mail: [isomet@isomet.com](mailto:isomet@isomet.com)  
[www.ISOMET.com](http://www.ISOMET.com)  
ISOMET (UK) Ltd, 18 Llantarnam Park, Cwmbran, Torfaen, NP44 3AX, UK.  
Tel: +44 1633-872721, Fax: +44 1633 874678, e-mail: [isomet@isomet.co.uk](mailto:isomet@isomet.co.uk)



## Revision History

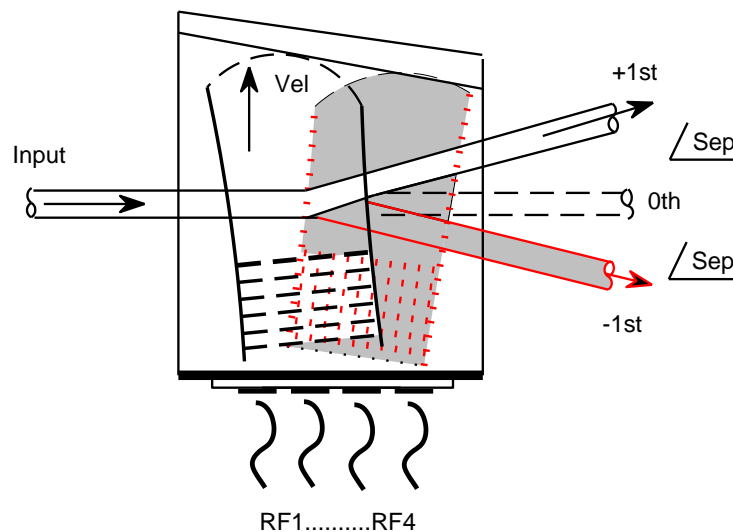
- 21-4-11      Test point output on D-type.  
RF envelope provided for timing purposes during set-up
  
- 1-10-12      Correction to manual. Digital inputs are LVTTTL.  
Protection circuitry will clamp 5V logic level inputs to 3V3.  
Recommended maximum logic HIGH voltage is 3V3.
  
- 17-3-13      Re-labelled –OHL input from P0 to P3. Pin assignment unchanged

## 1. GENERAL

The iSA range of configurable RF drivers is based on a quad channel RF synthesizer and 16-bit MCU. The MCU contains non-volatile FLASH memory for program storage. This enables the operating characteristics of the driver to be loaded at power-on without user intervention. The MCU also provides diagnostic and house keeping capabilities.

The iSA drivers are typically programmed at the factory for a specific OEM application.

The remainder of this manual will describe the iSA251-4 or iSA254-4 variants. These drivers use bi-level phase modulation to generate acoustic beam steering in an AO modulator. The result is a single AO device that can efficiently diffract the incoming laser beam into either the +1 or -1 first order angles without mechanical readjustment.



### Key Features:

- Quad output, 50W per channel, water cooled power amplifier
- Microprocessor controlled RF synthesizer
- Fast switching and frequency selection times < 100nsec
- High speed digital and analog modulation
- Independent power controls
- Tri colour LED status indicators
- High VSWR protection



The iSA250-4 Combined Driver and Power Amplifier is specifically designed to operate with the DBM1186-G50 series of dual beam acousto-optic high power modulators. A block diagram of the driver is shown in Figure 5. The 16-bit MCU features internal FLASH, RAM and a multi-channel ADC, plus USB, SPI and I2C interfaces. In normal use the driver is pre-programmed and will not require the USB connection to a host computer. All operational driver controls are through the 25 way D-type connector. On power up or after a Reset, the MCU configures the direct digital synthesizer (DDS) chip and loads a number of frequency / phase / amplitude profiles. These profiles can be rapidly selected via the Select input, P3 (and if applicable, P0 and/or P2). The frequency is accurate and stable to within  $\pm 50$ ppm. Diode ring mixers provide RF level (analog) modulation of the RF carrier. The active controlling input (MOD\_A or MOD\_B) is also determined by the Select input P3 via a 4-way analog switch. The digital input -OHL provides a fast ON-OFF digital modulation (or GATE) function.

The peak RF power level is factory set.

The output stages are Class A power amplifiers with fast rise and fall times.

## 2, CONTROL

Four inputs directly control the RF output; **P3**, **MOD\_A**, **MOD\_B** and **-OHL**

The response time of either of these inputs is < 100nsec.

When connected to the DBM1186 series AOM:

**P3:** Selects which output beam is diffracted, +1 order or -1<sup>st</sup> order. This is achieved through phase reversal of the four RF inputs to the AOM (see Fig 1)

**MOD\_A:** Sets the power level of the diffracted 1<sup>st</sup> order beam when P3 = 0

**MOD\_B:** Sets the power level of the diffracted 1<sup>st</sup> order beam when P3 = 1

**-OHL:** provides ON:OFF control for both 1<sup>st</sup> order beams when P3=0 or P3=1

The relationship between the driver control inputs, the RF waveform and AO response is illustrated in the following diagrams.

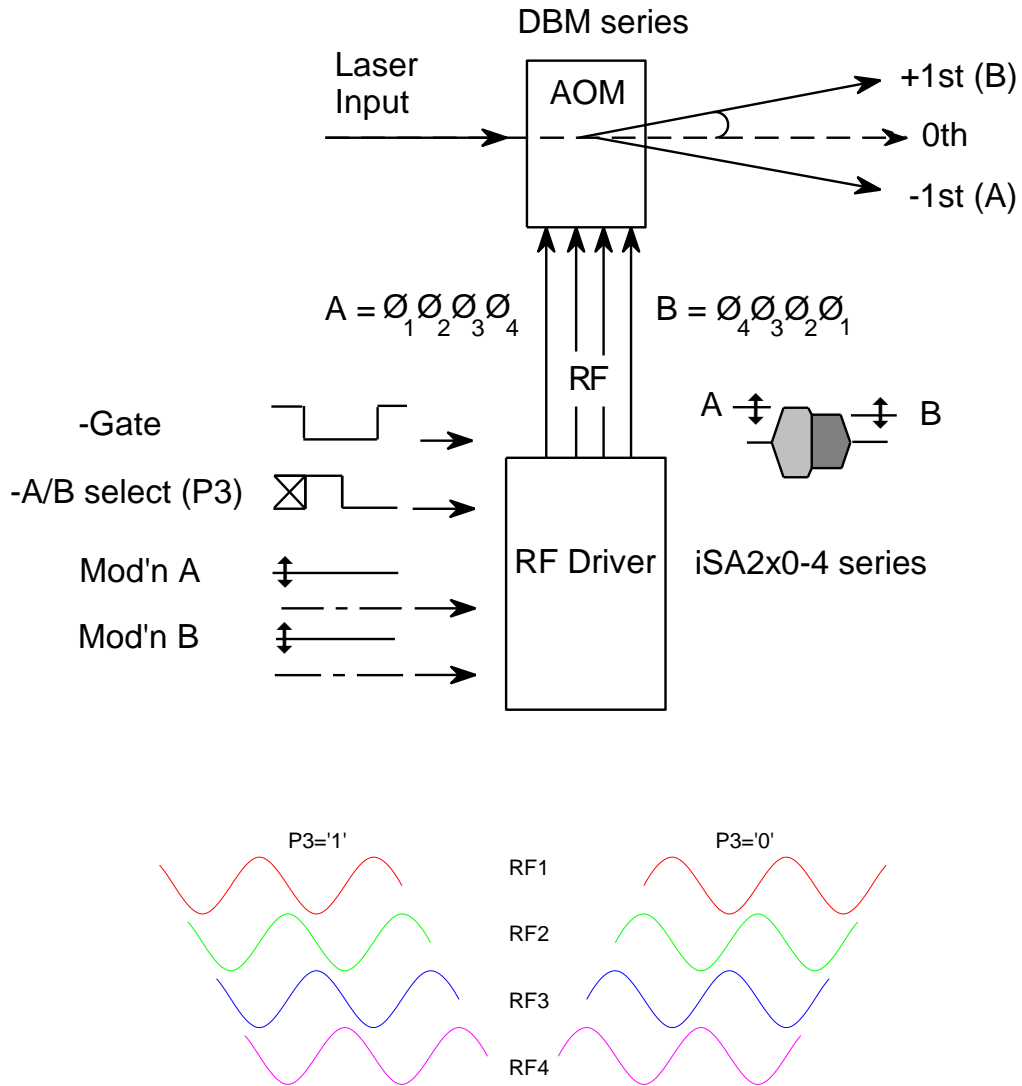
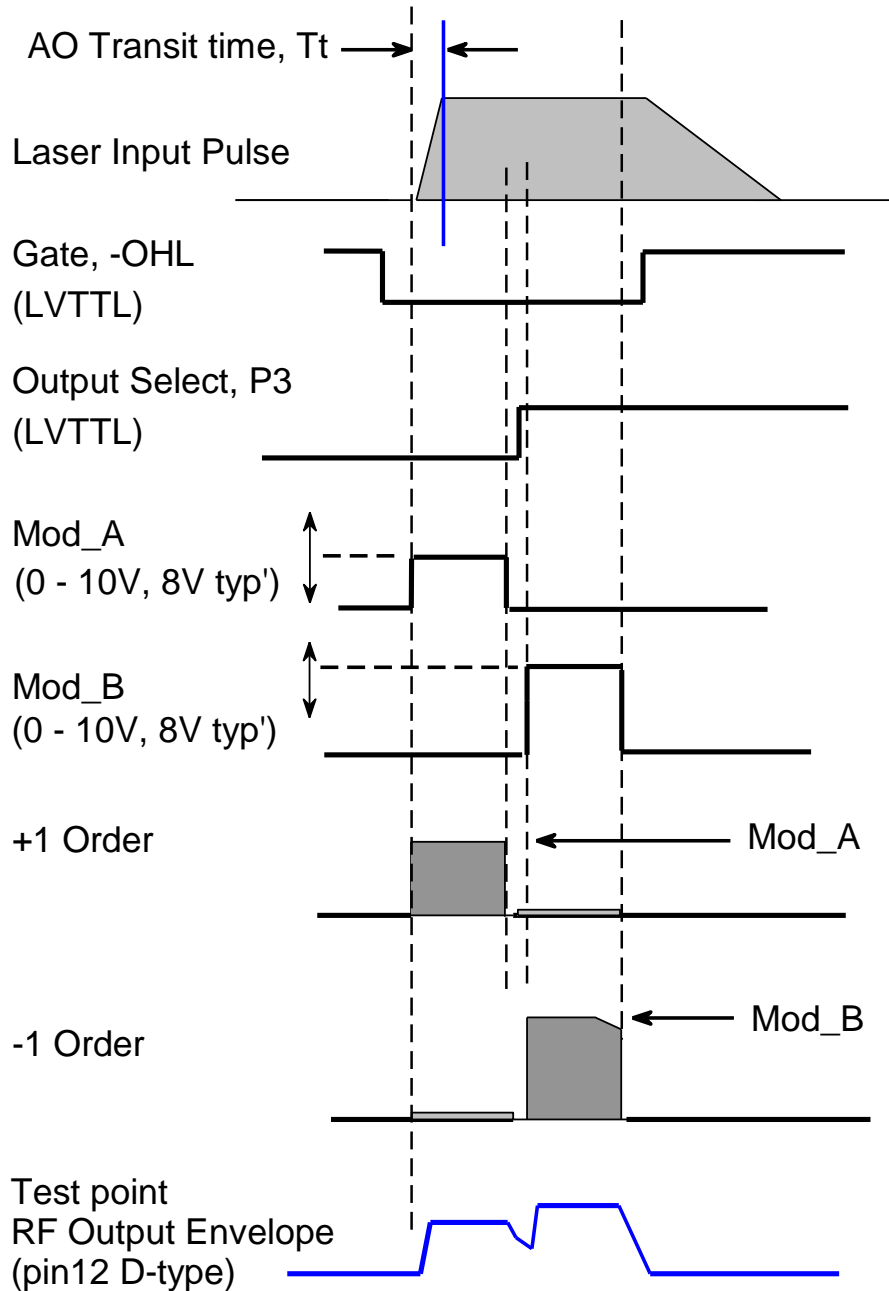


Fig 1: Phase Control

There are two methods to generate modulated pulses  
 Both have independent power control for the +1 and -1 beams.  
 The pulse shapes below are for illustrative purposes.

2.1 Method A (analog modulation)

- Modulation inputs (MOD\_A and MOD\_B) control the pulse amplitudes
- Modulation inputs (MOD\_A and MOD\_B) also control the pulse widths
- Input P3 selects the '+1' or '-1' output

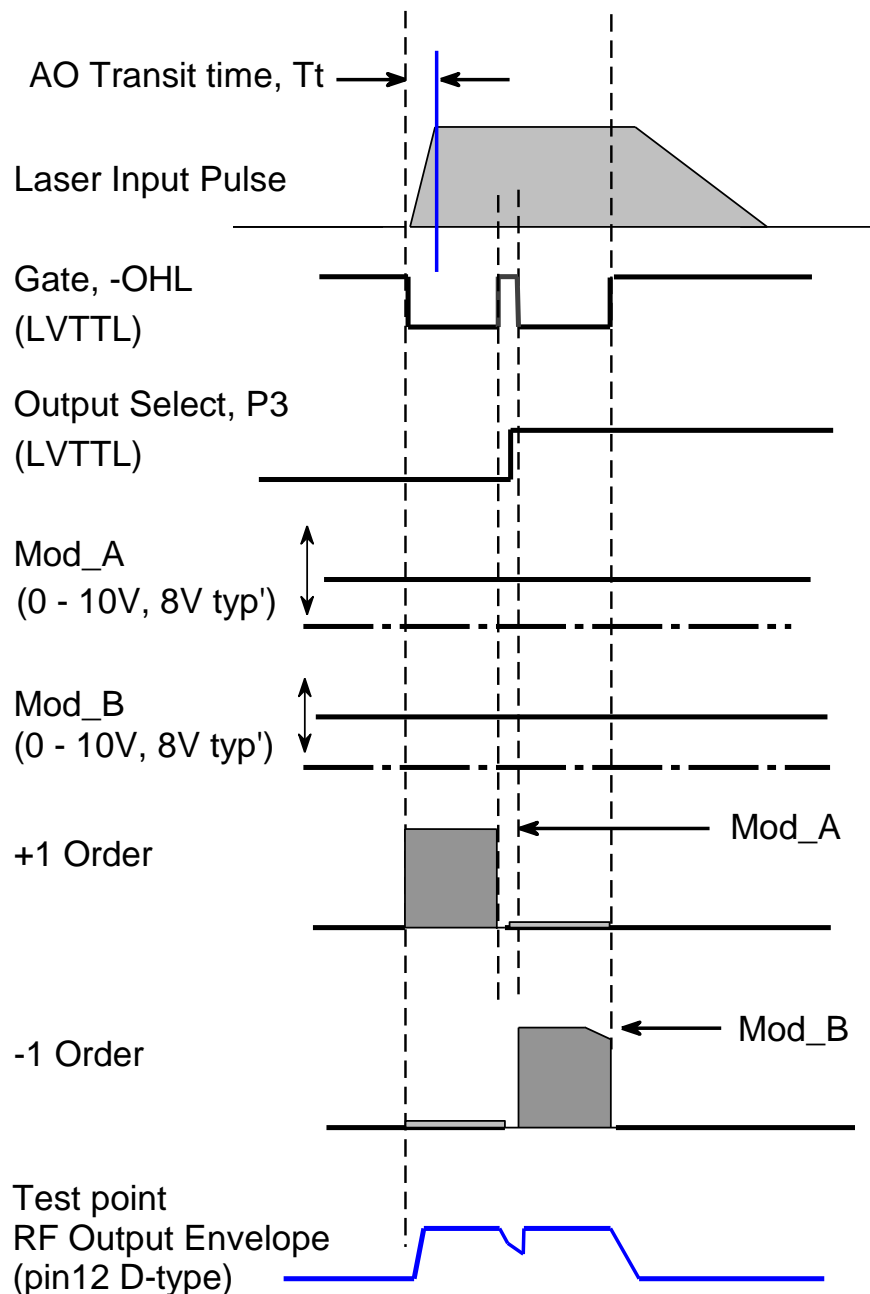


(See Appendix A for explanation of **AO Transit time**)

Mod\_A and Mod\_B signals shown at different levels for illustration purposes.

## 2.2 Method B (digital modulation)

- Modulation inputs (MOD\_A and MOD\_B) control the pulse amplitudes only
- Gate (-OHL) input controls the pulse width
- Input P3 selects the '+1' or '-1' output



(See Appendix A for explanation of **AO Transit time**)

In both modes, there will always be some residual power in the unselected "OFF" beam. When correctly adjusted, this level should be less than 2% of the input power.

### 2.3 Modulation characteristic

The +1 and -1 diffracted orders have the same modulation characteristics.

An illustration using Method A, analog modulation control is shown below

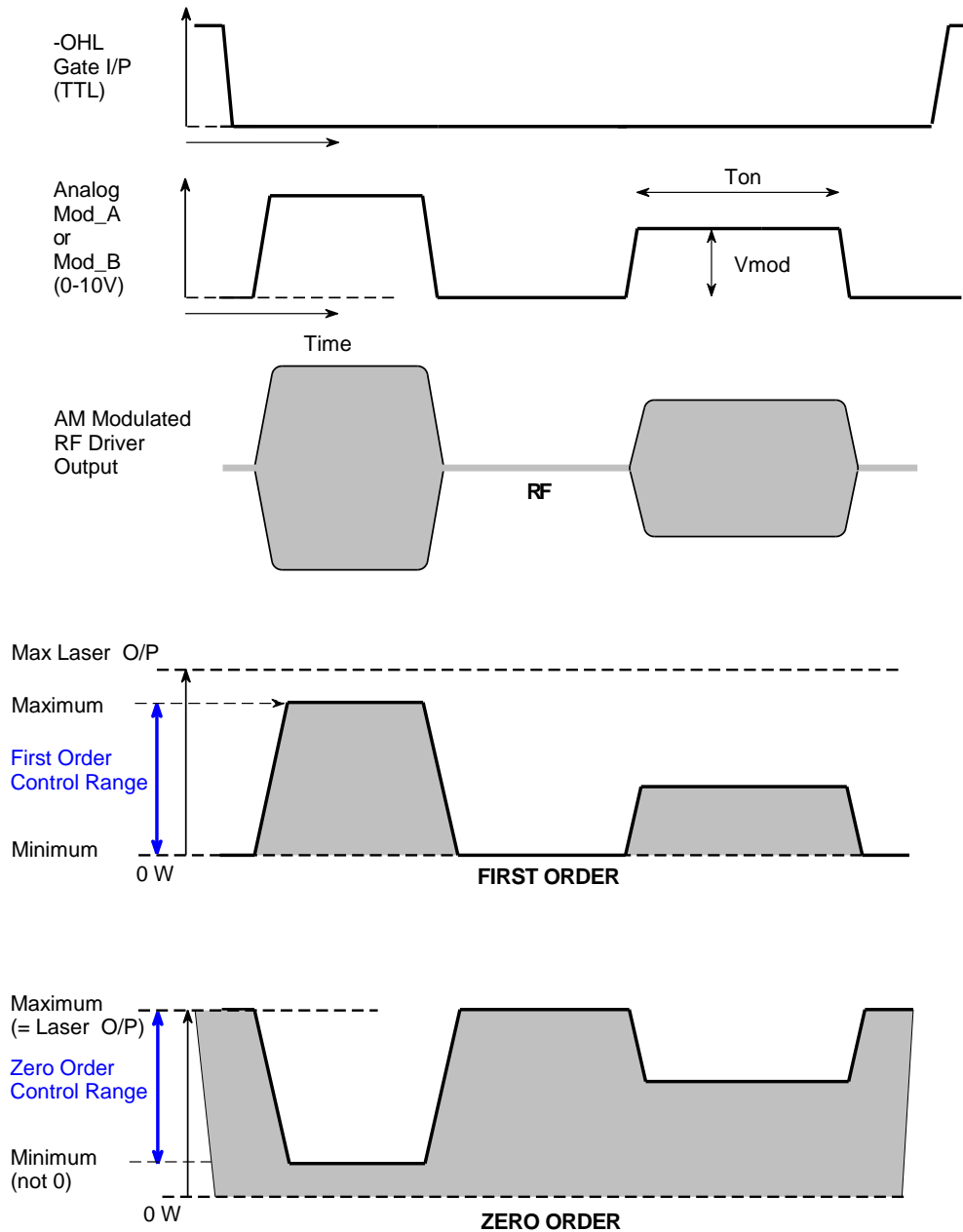


Figure 2: Typical Laser Modulation Waveforms



## 2.4 Signal Description

### **-OHL, Gate (active low switches RF On)**

LVTTL compatible digital input

The default or 'not connected' condition is RF Off.

A high level ( $1.9V < V < 3V3$ ) will gate the RF **OFF**.

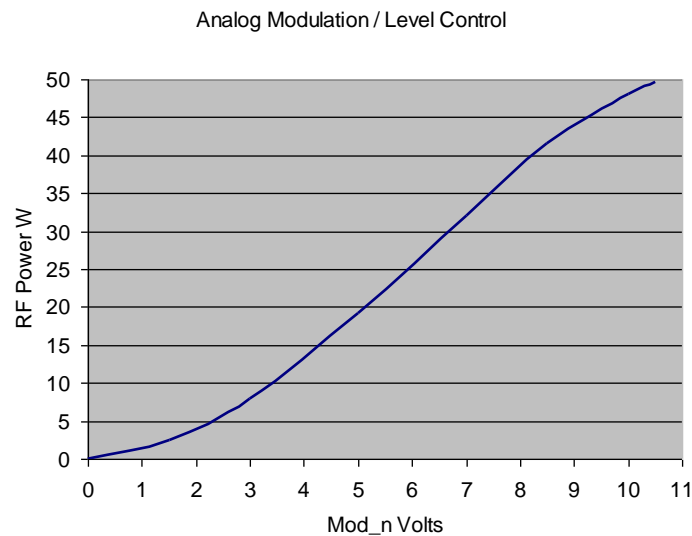
A low level ( $0V < V < 0.8V$ ) will gate the RF **ON**.

### **Mod\_A / Mod\_B (Analog Modulation/RF Level inputs)**

Provides high speed proportional amplitude control of the RF power.

Minimum RF output = 0.0V

Maximum RF output = 10.0V. (Normal operating level for maximum DBM efficiency is 7V – 9V)



Typical RF power characteristic per output

### **P3, Select**

LVTTL compatible digital input

The default or 'not connected' condition is P3=1.

A high level ( $1.9V < V < 3V3$ ) will select phase order RF1-RF2-RF3-RF4 **and** Mod\_B level control

A low level ( $0V < V < 0.8V$ ) will select phase order RF4-RF3-RF2-RF1 **and** Mod\_A level control

The relationship between the Phase order and the selected first order beam depends on the cable connection order and relative laser alignment. Refer Fig 7 for options.



## 2.5 DC Power

A low impedance DC power supply is required. The operating voltage is +24Vdc only at a current drain of approximately < 20A. The external power source should be regulated to  $\pm 2\%$  and the power supply ripple voltage should be less than 200mV for best results. Higher RF output power is achieved at 28Vdc.

## 2.6 Thermal Interlocks

The AOM and Driver are fitted with thermostatic switches which will switch open circuit if a predetermined temperature is exceeded. These thermal interlocks will reset once the AO device and / or RF driver are cooled below this temperature.

- The iSA driver thermal switch over-temperature threshold is 50deg C
- The DBM series thermal switch over-temperature threshold is 32deg C

The hysteresis of these thermal switches is 7-10deg C.

Once in a fault state the coolant temperature for the AOM will need to be reduced below 18degC to reset the thermal switches.

## **Precautions**

**LVTTTL digital input levels must not exceed 3.3 volts**

**Analog logic input levels must not exceed 15 volts**

**Water cooling is mandatory.**

**The driver heatsink temperature must not exceed 50°C.**

**Corrosion inhibitor must be added to the cooling water**

**SERIOUS DAMAGE TO THE AMPLIFIER MAY RESULT IF THE TEMPERATURE EXCEEDS 70°C.  
SERIOUS DAMAGE TO THE AMPLIFIER MAY ALSO RESULT IF THE RF OUTPUT CONNECTOR  
IS OPERATED OPEN-CIRCUITED OR SHORT-CIRCUITED.**

## 2.7 LED Indicator and Monitor outputs

The two front panel tri-colour LED sets indicate the operating state.

|      |   |   |   |
|------|---|---|---|
| LED1 | A | B | C |
| LED2 | D | E | F |



### RED - A

The top left LED will illuminate RED when DC power is applied

**Normal condition is ON**

### YELLOW - B

The top middle LED will illuminate YELLOW when:

- Interlocks are enabled (INT = Low)
- Power amplifier stages are enabled

**Normal condition is ON**

### GREEN - C

The top right LED will illuminate GREEN when the reflected RF power is below the fault threshold.

Threshold level is factory set

**Normal condition is ON**

### RED - D

The bottom right LED will illuminate RED when there is a fault condition:

This signal is available on pin 8 of the D-type connector. See STATUS MONITOR below

Fault conditions:

- Poor VSWR load (High reflected RF power fault) on one of the outputs.
  - A fault signal is triggered when the reflected RF power exceeds approximately 50% of the average forward power for more than 1 second. This fault is latching and the driver is disabled (RF power will go to zero). This fault can occur if the RF connection between the AOM and driver is broken
- DC power below 22Vdc
- Interlock fault, INT = not connected or AOM over temperature

**Normal condition is OFF**

### YELLOW - E

The bottom middle LED will illuminate YELLOW when, when the DC input is > 22V

**Normal condition is ON,**

### GREEN - F

The bottom left LED : Not used

**Condition is OFF**

### RESETTING

Once the fault condition is corrected, it will be necessary to reset the driver.

- 1) Turn the DC power OFF and ON
- or
- 2) RESET the driver by momentary connecting pin 13 of the D-type to pin 25

### Status Monitor Output

The status of the RED-D LED is available at the D-type connector

“FAULT” = logic low between pins 8 and 21 = RED-D ON

“OK” = logic high between pins 8 and 21 = RED-D OFF

LVTTL compatible. Sink / Source 4mA

### Test Point

An analog voltage representing the RF envelop is available on the D-type connector pin 12

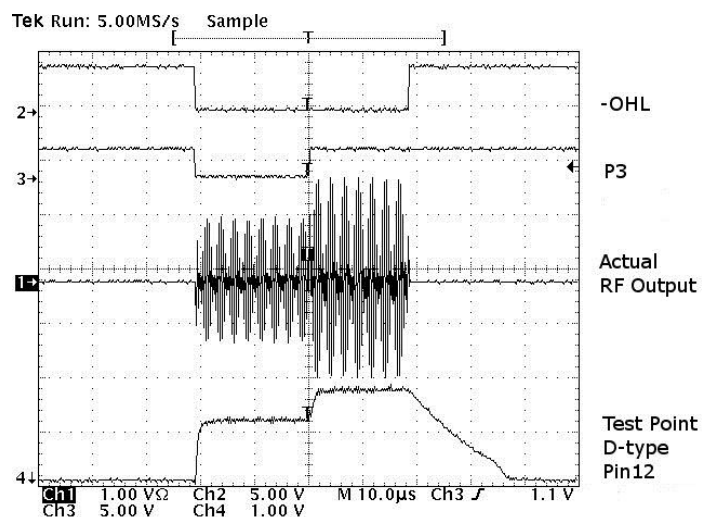
Return (0V) signal is on pin 25.

Use a 10Mohm scope probe only. Do NOT connect permanently.

This signal can be used to determine RF timing with respect to the laser pulse during set-up.

This signal is not a calibrated measure of the RF power level.

For clarity of image shot, the Mod\_A and Mod\_B inputs were set to give different RF power levels at P3=1 and P3=0





### 3. INSTALLATION and ADJUSTMENT

- 3.1 Connect cooling water to the iSA250-4 at a flow greater than 2.0 litres/minute at < 20 deg.C. Refer to Figure 2. Use of a Corrosion inhibitor is strongly advised.

Connect cooling water to the AO device.

Due to the high RF power dissipated in the AO modulator, it is paramount that the device is operated only when water cooling is circulating.

For optimum AO performance ensure the flow rate is more than 2 litres/minute at < 20 deg.C

With no DC power applied, connect the + 24V DC live to the center terminal of the feed-thru terminal. DO NOT APPLY POWER.

- 3.2 Connect the four BNC output RF connectors to the four acousto-optic modulator SMA RF inputs (or a 50Ω RF load, if it is desired to measure the RF output power).

Connection order shown in Fig 7

- 3.4 Connect the Interlock of the acousto-optic modulator (mini 3-pin snap connector) to the RF driver "INT" input (mini 4-pin snap connector). Connections shown in Fig 3

- 3.5 If the temperature of the modulator exceeds 32°C or the internal driver temperature exceeds 50°C then the interlock connection becomes open circuit, disabling the RF output. An LED indicator illuminates when the Interlocks are closed and the RF is enabled.

- 3.6 Adjustment of the RF output power is best done with amplifier connected to the acousto-optic modulator. When shipped, the Amplifier output power is set to give 50W maximum per output.

- 3.7 The optimum RF power level required for the modulator to produce maximum first order intensity will be differ depending in the laser wavelength. Applying RF power in excess of this optimum level will cause a decrease in first order intensity (a false indication of insufficient RF power ) and makes accurate Bragg alignment difficult. It is therefore recommended that initial alignment be performed at a low RF power level.

For the iSA drivers, the RF power is adjusted by the Mod\_A an Mod\_B analog voltage levels



The set up procedure will select one first order beam at a time.

The initial alignment is made at half RF power (MOD\_n = 5 to 6 V approx)

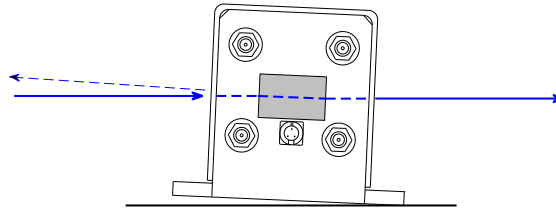
- 3.8 Apply DC to the amplifier (20A continuous capability)
- 3.9 Apply a constant TTL **low** signal to the **-OHL** input. Connect pin 7 of 25 way D-type to the TTL signal and pin 20 to the signal return (0V).
- 3.10 Apply a constant TTL **low** signal to the **P3** input. Connect pin 1 of 25 way D-type to the TTL signal and pin 14 to the signal return (0V).
- 3.11 Apply a constant analog input of 6V to both **MOD\_A** and **MOD\_B**. Connect pin 5 (6) of the 25 way D-type connector to the Signal and pin 18 (19) to the signal return.

Input the laser beam toward the centre of either aperture of the AOM/DBM. Ensure the polarization is horizontal with respect to the base and the beam height does not exceed the active aperture height of the AOM/DBM. Start with the laser beam normal to the input optical face of the AOM/DBM. See Figures 6 & 7 for the possible configurations.

- 3.12 Observe the diffracted first-order output from the acousto-optic modulator and the undeflected zeroth order beam. Adjust the input angle (rotate the modulator) very slightly to maximise the first order beam intensity. Angle will be less than +/-10mrad
- 3.13 Apply a constant TTL **high** signal to the **P3** input.  
This will select the other first order beam location
- 3.14 Again, observe the diffracted first-order output from the acousto-optic modulator and the undeflected zeroth order beam. If required, re-adjust the input angle (rotate the modulator) very slightly to balance the two first order beam intensities (i.e. switch between P3=0 and P3=1 and compare beam efficiencies)
- 3.15 After the input angle has been optimized, slowly increase the RF power by increasing MOD\_A and MOD\_B inputs until maximum balance first order intensity are obtained in both first orders  
The peak efficiency value should occur between **7V to 9V**. The modulator and driver are now ready for use.
- 3.17 Back reflections  
Unlike normal AO modulators, the DBM optical face is near normal to the incident laser beam.

Depending on the optical design, there is a risk of back reflection into the laser cavity.

In such cases, it is recommended that the DBM is mounted at a slight angle to the horizontal, as shown below.



#### 4. MAINTENANCE

##### 4.1 Cleaning

It is of utmost importance that the optical apertures of the deflector optical head be kept clean and free of contamination. When the device is not in use, the apertures may be protected by a covering of masking tape. When in use, frequently clean the apertures with a pressurized jet of filtered, dry air.

It will probably be necessary in time to wipe the coated window surfaces of atmospherically deposited films. Although the coatings are hard and durable, care must be taken to avoid gouging of the surface and leaving residues. It is suggested that the coatings be wiped with a soft ball of brushed (short fibres removed) cotton, slightly moistened with clean alcohol. Before the alcohol has had time to dry on the surface, wipe again with dry cotton in a smooth, continuous stroke. Examine the surface for residue and, if necessary, repeat the cleaning.

##### 4.2 Troubleshooting

No troubleshooting procedures are proposed other than a check of alignment and operating procedure. If difficulties arise, take note of the symptoms and contact the manufacturer.

##### 4.3 Repairs

In the event of deflector malfunction, discontinue operation and immediately contact the manufacturer or his representative. Due to the high sensitive of tuning procedures and the possible damage which may result, no user repairs are allowed. Evidence that an attempt has been made to open the optical head will void the manufacturer's warranty.

**Connection Summary**

1.0 25 way 'D' Type Control Connection

| <u>Signal</u> (see notes)  | <u>Type</u> | <u>Pin out connection</u>      |
|--|-------------|--------------------------------|
| NECESSARY  |             |                                |
| -OHL digital Gate *<br>LVTTL high (1.9v<V<3v3) = OFF<br>LVTTL low (0.0v<V<0.8v) = ON           | Input       | Signal pin 7<br>Return pin 20  |
| P3 Select<br>LVTTL high (1.9v<V<3v3), P3= 1<br>LVTTL low (0.0v<V<0.8v), P3= 0                  | Input       | Signal pin 1<br>Return pin 14  |
| MOD_A (P3=0 selects)<br>0 – 10V max  | Input       | Signal pin 6<br>Return pin 19  |
| MOD_B (P3=1 selects)<br>0 – 10V max  | Input       | Signal pin 5<br>Return pin 18  |
| OPTIONAL   |             |                                |
| 'Status' monitor<br>(LVTTL compatible, Low = Fault)<br>Maximum current = 4mA                   | Output      | Signal pin 8<br>Return pin 21  |
| -RESET<br>Active low.<br>LVTTL compatible (0.0v<V<0.8v)<br>Internal pull up to +3V3 via 10Kohm | Input       | Signal pin 13<br>Return pin 25 |
| RF Test Point<br>(analog voltage)  | Output      | Signal pin 12<br>Return pin 25 |

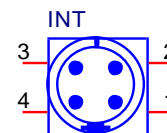
NOTES:

DO NOT connect to pins 9, 10, 11,  
Pins 14 to 25 are internally connected to 0V

2.0 Binder719, 4-way Interlock Connector

|                                  |       |                      |
|----------------------------------|-------|----------------------|
| Interlock ***<br>Normally closed | Input | Connect to AOM "INT" |
|----------------------------------|-------|----------------------|

See Fig 3  
Pin1 – Pin1  
Pin2 - Pin2



Do not connect remaining pins  
(pin1 = first pin anticlockwise from largest gap, when looking into driver connector)



## Modulation and Gate Input connections

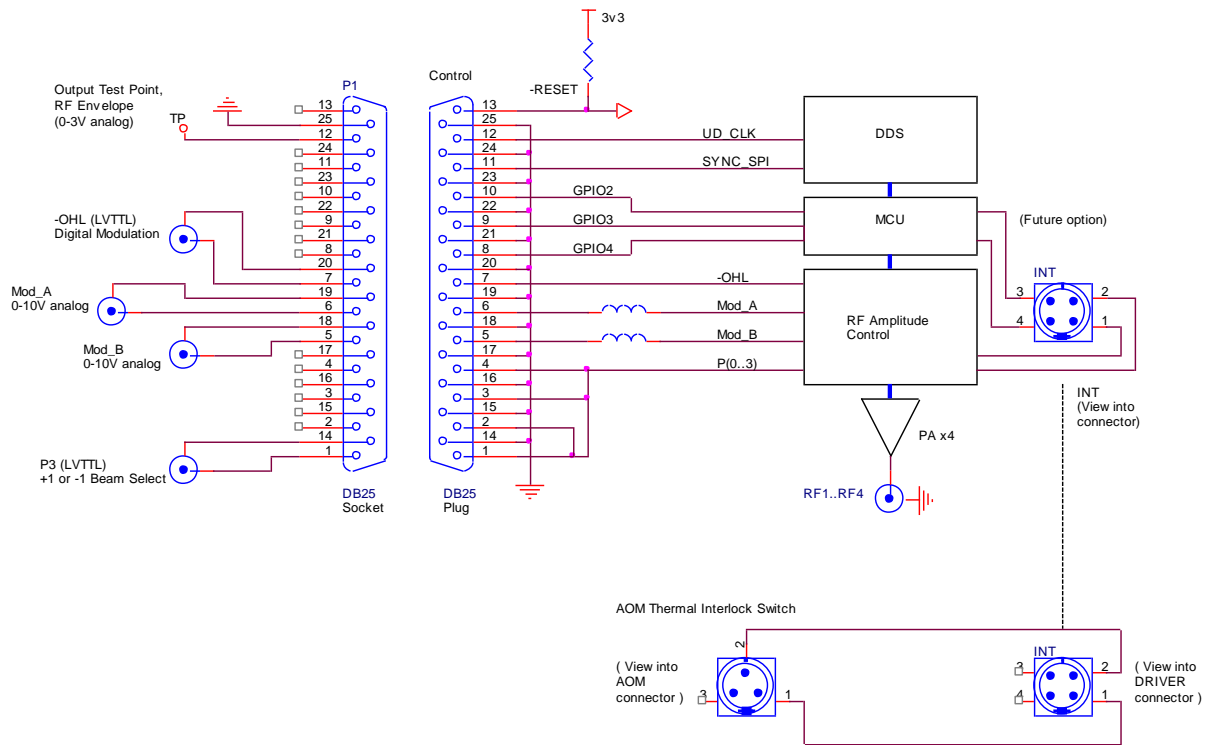


Figure 3:

### Notes:

\* The digital Gate /Modulation input signal (pin 7) needs to be applied, This signal is active Low. It is required even if the analog inputs Mod\_A and Mod\_B are used to modulate the RF power.

\*\*\* The interlock signal must be connected. Contacts closed for normal operation.

## 3.0 Mounting Holes

4 x M5

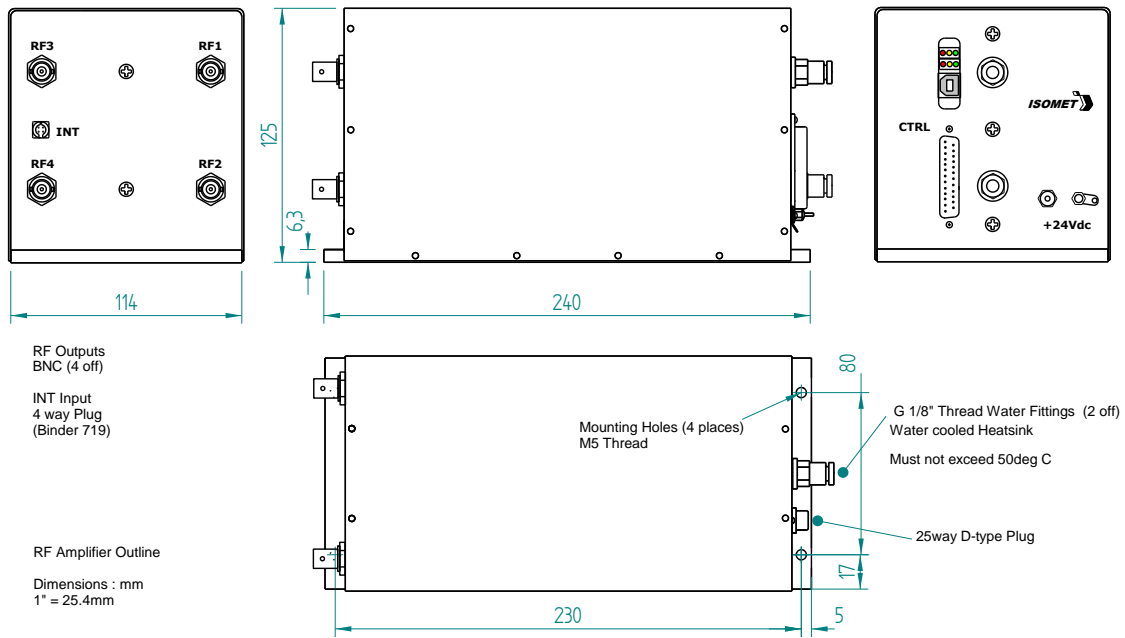


Figure 4: Driver Installation

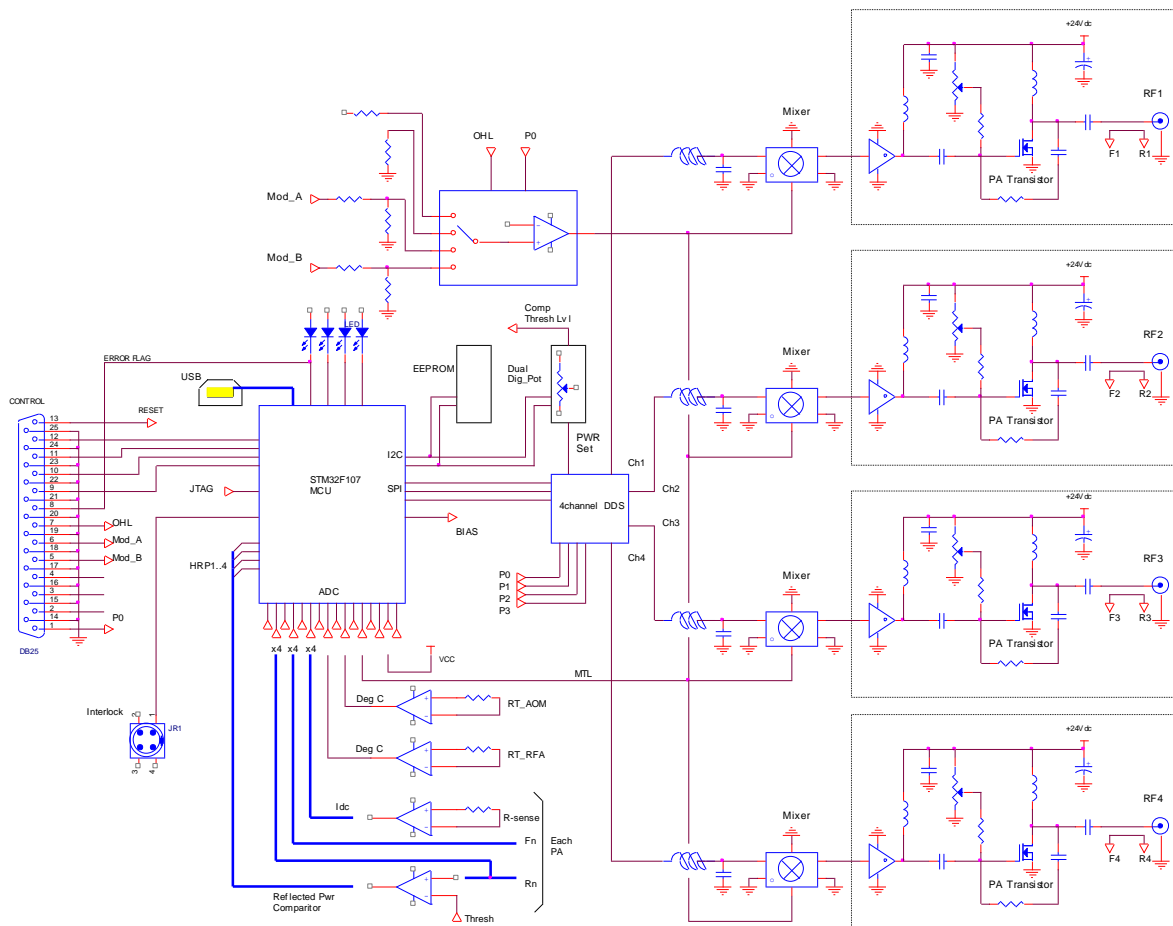
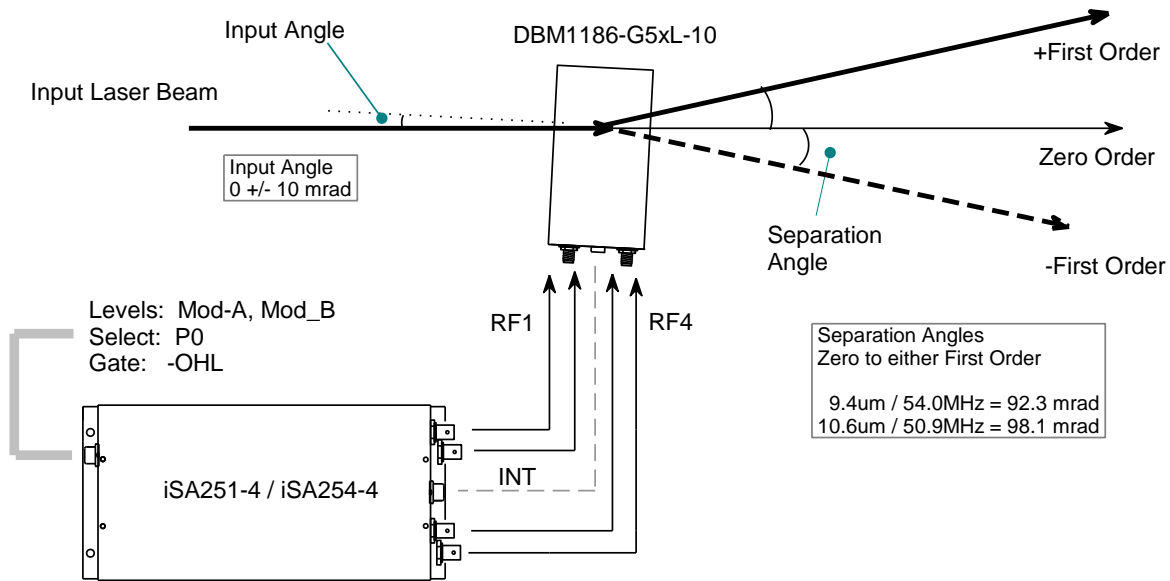


Figure 5: Driver Block Diagram



Coolant circuit not shown for clarity.  
Flow rate > 2 liter / min at less than 20deg C

DC supply : 24Vdc / 15A

The separation angle between the Zeroth order and either First order is:

$$\theta_{SEP} = \frac{\lambda \cdot fc}{v}$$

Optical rise time for a Gaussian input beam is approximately:

$$t_r = \frac{0.65 \cdot d}{v}$$

where:

- $\lambda$  = wavelength
- $fc$  = centre frequency = 50.9MHz (10.6um)  
= 54.0MHz (9.3um)
- $v$  = acoustic velocity of interaction material = 5.5mm/usec (Ge)
- $d$  =  $1/e^2$  beam diameter

Figure 6: Typical Connection Configuration

**Connection options for Beam Steered Dual Beam AO Modulators**

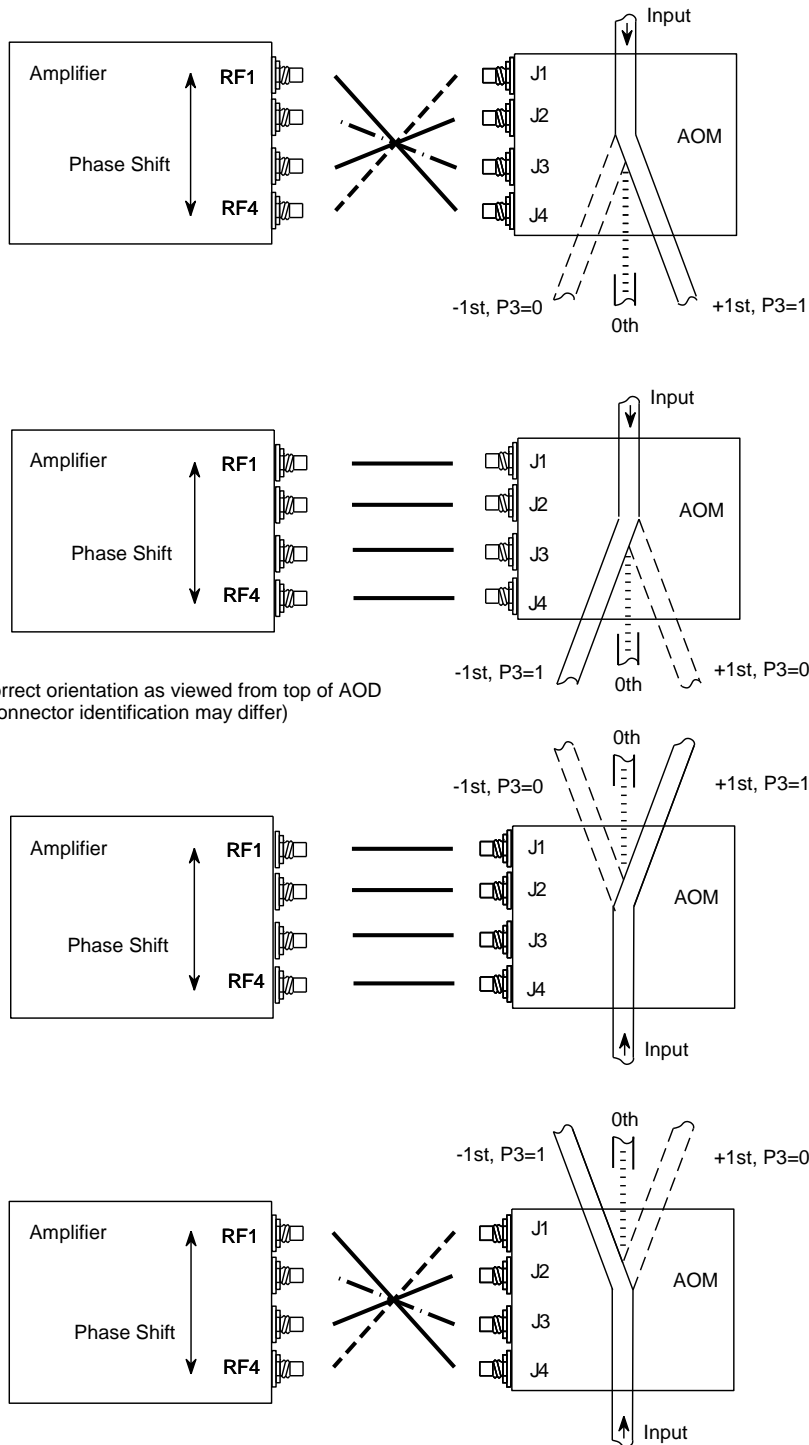
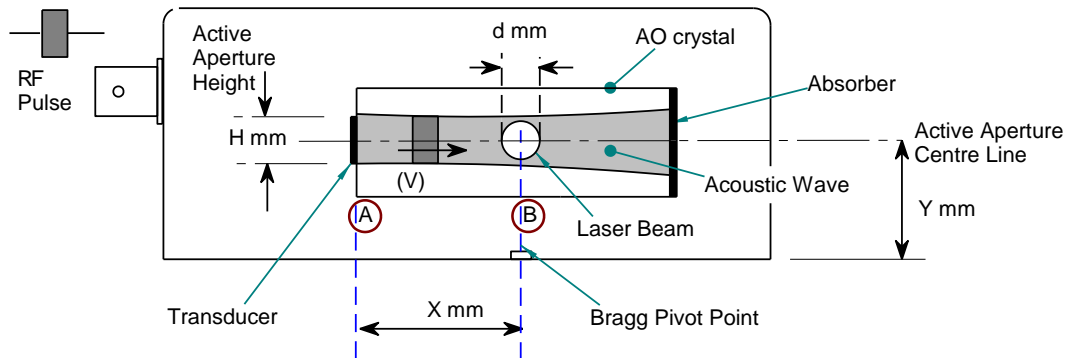


Figure 7. Orientation Options

Appendix A

**Pulsed laser, delay considerations**

When attempting to synchronize a pulsed laser beam with a pulsed RF acoustic wave in an AO device, the designer must consider the **transit time** of the acoustic wave from the transducer to the laser beam position. This is called the Pedestal delay.



Input Beam Location

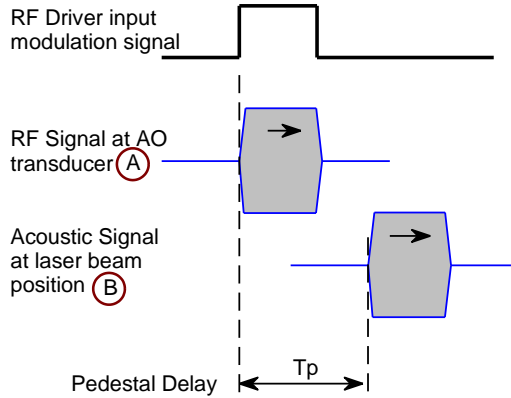
Vertical axis: Place the laser beam at the centre of the active aperture at Ymm above the base.  
 Horizontal (Diffraction) axis : Place beam above the Bragg pivot point.

Timing considerations with respect to the RF modulation signal:

Acousto-optics are travelling wave devices. The acoustic wave is launched from the transducer and travels at velocity V across the laser beam and into the absorber.

1: Pedestal delay = time for the acoustic wavefront to reach the laser beam.

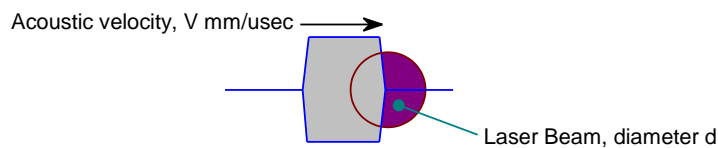
$T_p = \text{beam position from transducer } (X) / \text{acoustic velocity } (V)$



2: Transit time = time for the acoustic wavefront to cross the laser beam.

$T_t = \text{beam diameter } (d) / \text{acoustic velocity } (V)$

Optical switching time for a Gaussian beam is approximately  $0.65 \times T_t$



Example:

AOM640 / AOM650 / AOM740 / DBM1186 series of CO<sub>2</sub> Germanium AO modulators/deflectors, the Bragg pivot point is located at X = 30mm from the transducer (+/- 1mm)  
 The acoustic velocity in Germanium is 5.5 mm/usec

Thus, for a laser beam placed above the Bragg Pivot point  
 Pedestal delay = 5.46 usec

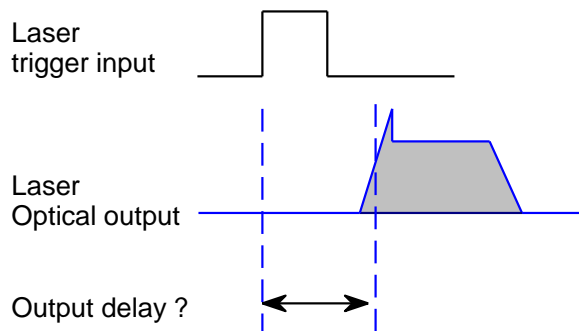
The pedestal delay will depend on the AO model and the actual laser beam position.

For an 8mm input beam diameter,  
 Transit time = 1.46 usec

(Note optical rise time for a Gaussian beam is approximated by 0.65 x transit time)

Laser synchronization

Please be aware, depending on the Laser type, there may be a significant delay between the laser input trigger signal and the actual laser optical output pulse.



This should be considered when synchronizing the laser and pulsed RF (acoustic) waves.