

IMS4-L-Fx2-opt (quad output)



High Speed Synthesizer, frequency doubled.

0517

Description

The IMS4-L-Fx2 is a frequency doubled version of the *iMS4-L*. These programmable frequency sources are based on a quad output direct digital synthesizer (DDS) offering the user a wide variety of frequency generation and signal control options. The IMS4 is designed around a modular concept. When mated to one of many compatible power amplifiers, the IMS4 will suit the drive requirements of the majority of Isomet AO devices.

The IMS4-L-Fx2 functions are controlled via high speed USB-II, (RS422 optional). Windows7 & 10 GUI software and a comprehensive C++ SDK are both provided. This SDK library defines all the function calls that are possible on an iMS system and allows the system integrator to quickly and efficiently develop application software at a high level of abstraction. All low level protocol communication is handled by the library functions. (DLL call functions).

DIRECT Mode

The IMS4-L-Fx2 outputs are controlled directly from the host PC. All output parameters can be set independently. The tuning rate is limited by the host PC interface.

Available Functions:

- Single tone (static frequency) output.
- Zero to Max Amplitude control.
- 0-360° phase shift between outputs
- Differential frequency offset between the outputs

SWEEP Mode

Frequency sweep parameters are configured at the host PC and downloaded directly to the DDS chip. A single trigger (via PC or external input) initiates the sweep. The increment step value and step duration are user programmable.

Available Functions:

- Up or Down
- Dwell or No dwell at completion

The sweep mode offers the fastest frequency scan capability, with a minimum dwell time of 8nsec per frequency increment. Amplitude and phase values remain constant

IMAGE Mode (4K)

The IMS4-L-Fx2 outputs are controlled from "image" data programmed into internal memory. The memory area is capable of storing a single image of up to 4096 frequency points with the same frequency/amplitude across all outputs or 1024 points with a different frequency/amplitude at each output. Phase values are automatically inserted from a user defined look-up-table (LUT) pre-loaded during initialization. The stored image points each comprise of 32-bit Frequency, 10-bit Amplitude, 14-bit Phase and 12-bit ancillary control. Output data is addressed in sequence under the control of external or internally generated trigger and clock signals. The RF signal responds to a new data set at each valid update clock. The minimum dwell time per frequency point is less than 1usec. The user can specify trigger, clock, repeat, and output delay functions.

The image mode is highly flexible and allows fast continuous data throughput. Up to 256 frequency unique images can be downloaded including uni-directional, bi-directional and random frequency patterns. New image data can up-loaded from the host simultaneously during output play. A key advantage of this mode is that each frequency point may be modified by the LUT, providing an efficient method of applying phase control and amplitude calibration to the downloaded image data. Active phase steering across the multiple RF outputs is ideal for Isomet (acoustic) beam steered AO deflectors.

Local Tone Buffer

Similar to the Image mode except the data is limited to 256 separately programmable frequency/amplitude/phase points. These points may be addressed randomly from an 8-bit external port. Outputs change value immediately after a new buffer address is applied.

ALL SPECIFICATIONS SUBJECT TO CHANGE WITHOUT NOTICE

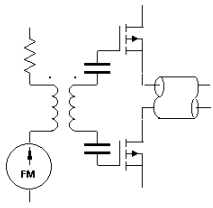
ISOMET CORP, 5263 Port Royal Rd, Springfield, VA 22151, USA.

Tel: (703) 321 8301 Fax: (703) 321 8546

E-mail: ISOMET@ISOMET.COM Web Page: WWW.ISOMET.COM

Quality Assured.

**In-house: RF & Digital design
Software Development
OEM manufacture**



IMS4-L-Fx2-opt (quad output)



High Speed Synthesizer, frequency doubled.

0517

Specification

Maximum Frequency Bandwidth (full range):	150 – 400 MHz
Outputs:	Quad independent outputs, phase continuous
Maximum frequency resolution:	32 bit
Frequency settling (Direct mode) :	<40nsec
Max. output rate (Image mode):	1.2MHz (800nsec minimum dwell per image point)
Frequency stability (internal reference clock):	+/- 25ppm
Phase control :	+/- 180deg differential between outputs
Maximum Output Power per output:	> 16dBm typical. (50mW) at 250MHz
Output power flatness:	< +/- 1dB per octave, with no amplitude programming
Harmonics:	> 25dBc
RF On:Off contrast ratio	> 40dBc
Max power adjustment range:	10dB via digital potentiometer
Amplitude resolution (Image mode data):	10 bit (zero to max power)
Amplitude modulation, external input(s) *:	0-5V (zero to max power)
* Available configurations	One input per channel, Override, Disable
DC Supply:	+24V nominal @ 1A, (Input voltage range +15V to +30V)
Communications:	USB II, (Option: RS422).
External Clock, Trigger Inputs:	5V tolerant LVTTTL compatible. SMA connectors
Memory capacity:	4096 frequency data points, single bank
Auxiliary I/O features	Up to 16 analog and 16 digital I/O signals offering a variety of programmable test and control options
Digital GPIO:	5V opto-isolated.

Optional Features

USB serial (included as standard)
RS422 serial interface

Option: -opt
-
-R

Associated models

Enhanced model, 512Mbyte internal memory
Fundamental frequency range, 20-200MHz:
Power Amplifier Modules:

see separate data sheet, IMS4-P-Fx2
see separate data sheets, IMS4-L, IMS4-P
see separate data sheets, IMPAxxx-4, 500C series & others

ALL SPECIFICATIONS SUBJECT TO CHANGE WITHOUT NOTICE

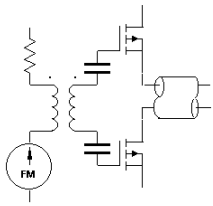
ISOMET CORP, 5263 Port Royal Rd, Springfield, VA 22151, USA.

Tel: (703) 321 8301 Fax: (703) 321 8546

E-mail: ISOMET@ISOMET.COM Web Page: WWW.ISOMET.COM

Quality Assured.

**In-house: RF & Digital design
Software Development
OEM manufacture**



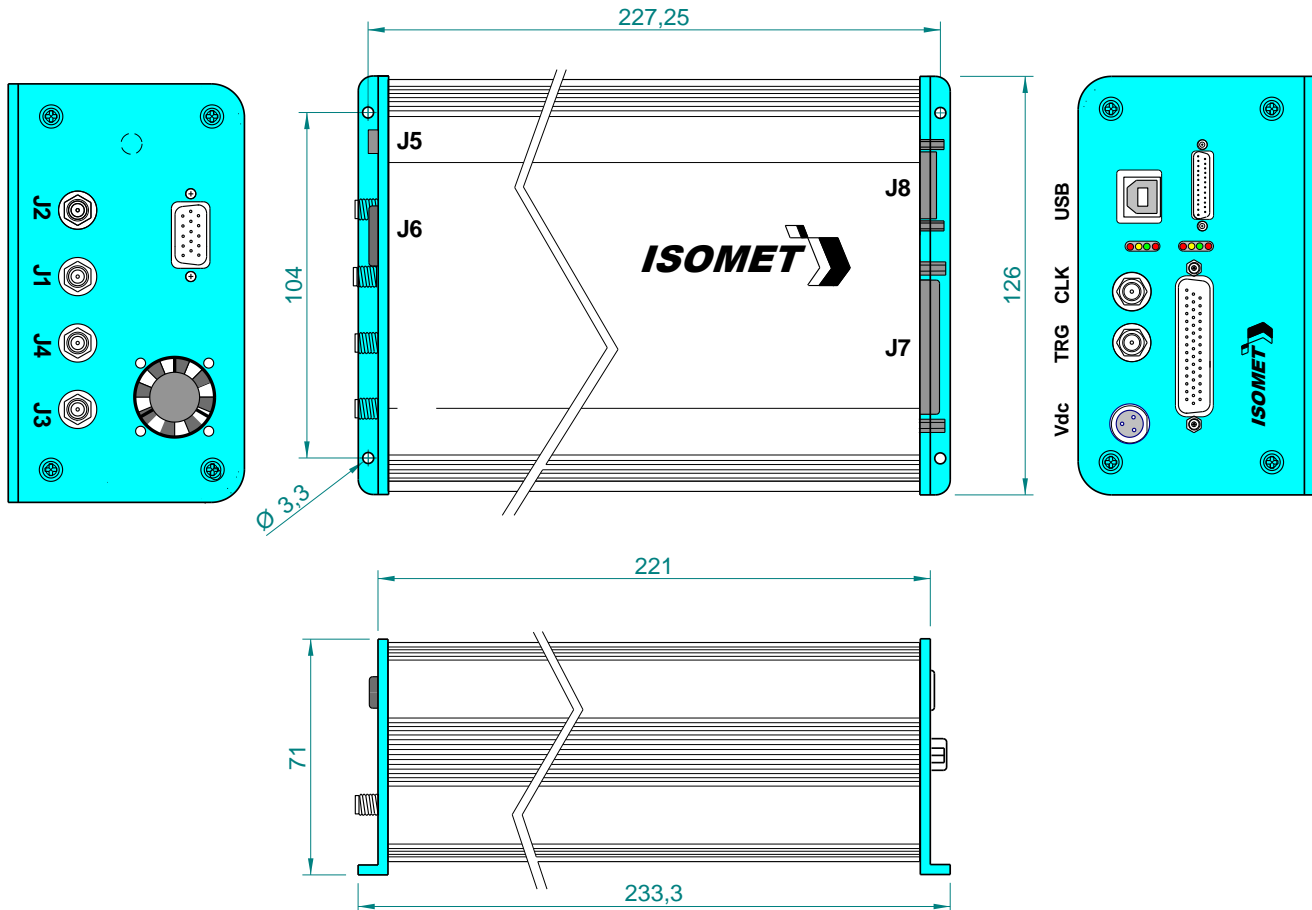
IMS4-L-Fx2-opt (quad output)



High Speed Synthesizer, frequency doubled.

0517

Outline Drawing



Connector Summary

All digital I/O signals on J6, J7 are ESD protected to IEC6100-4-2 and include EMI suppression.

- J1,2,3,4:** SMA RF outputs
- J5:** Binder 719, Interlock NC contact input (Thermal interlock from AO device) *
- J6:** 15-way High density female D-type, (Ext'l diagnostics) *
- J7:** 44-way High density female D-type, (GPIO)
- J8:** 26-way High density female micro D-type, (Control)
- Vdc** 3-way TINI-Q male socket. (15-24Vdc voltage Input)

ALL SPECIFICATIONS SUBJECT TO CHANGE WITHOUT NOTICE

ISOMET CORP, 5263 Port Royal Rd, Springfield, VA 22151, USA.

Tel: (703) 321 8301 Fax: (703) 321 8546

E-mail: ISOMET@ISOMET.COM Web Page: WWW.ISOMET.COM

Quality Assured.

**In-house: RF & Digital design
Software Development
OEM manufacture**