

# iSPA-MF4



## Multi-Freq Synthesizer & RF Driver (PRELIMINARY)

0811

### SPECIFICATIONS

The iSPA-MF4 Synthesizer Driver is a modular, programmable RF driver specifically designed to operate with Isomet acousto-optic tuneable filters. Windows software allows user programming of the frequency and peak RF power for four independent channels via USB. The iSPA-MF4 can output up to four frequencies simultaneously. The amplitude of each frequency is controlled by a respective voltage input on the 25way D-type connector, giving the full range of control from "Off" to "Max".

Output frequency range:	30 – 200 MHz (full range)
Simultaneous Frequencies:	4
Frequency resolution (full range):	32 Bit, or < 0.03Hz
Frequency stability:	+/- 25ppm
Maximum Output Power:	1.6 W (total)
Max RF power per frequency, intermodulation < 20dBc	
2 simultaneous frequencies	500mW
3 simultaneous frequencies	250mW
4 simultaneous frequencies	120mW
Output power flatness:	< +/- 1dB
Harmonics:	< 25dBc
Power adjustment range:	> 30dB range via 'Modulation inputs
Mechanical package:	See over

### Interface

Output:	Signal:	RF, 50ohm
	Connector:	SMA
Inputs:	Control Input:	25way male D-type
	Logic signals:	TTL compatible HCMOS
	Analog/Control /Modulation:	0 – 10V
	Host PC:	USB II
	DC power:	24V at < 0.8A, solder feed through

#### ALL SPECIFICATIONS SUBJECT TO CHANGE WITHOUT NOTICE

ISOMET CORP, 5263 Port Royal Rd, Springfield, VA 22151, USA.

Tel: (703) 321 8301 Fax: (703) 321 8546

E-mail: [ISOMET@ISOMET.COM](mailto:ISOMET@ISOMET.COM) Web Page: [WWW.ISOMET.COM](http://WWW.ISOMET.COM)

Quality Assured.

In-house: RF & Digital design  
Software Development  
OEM manufacture



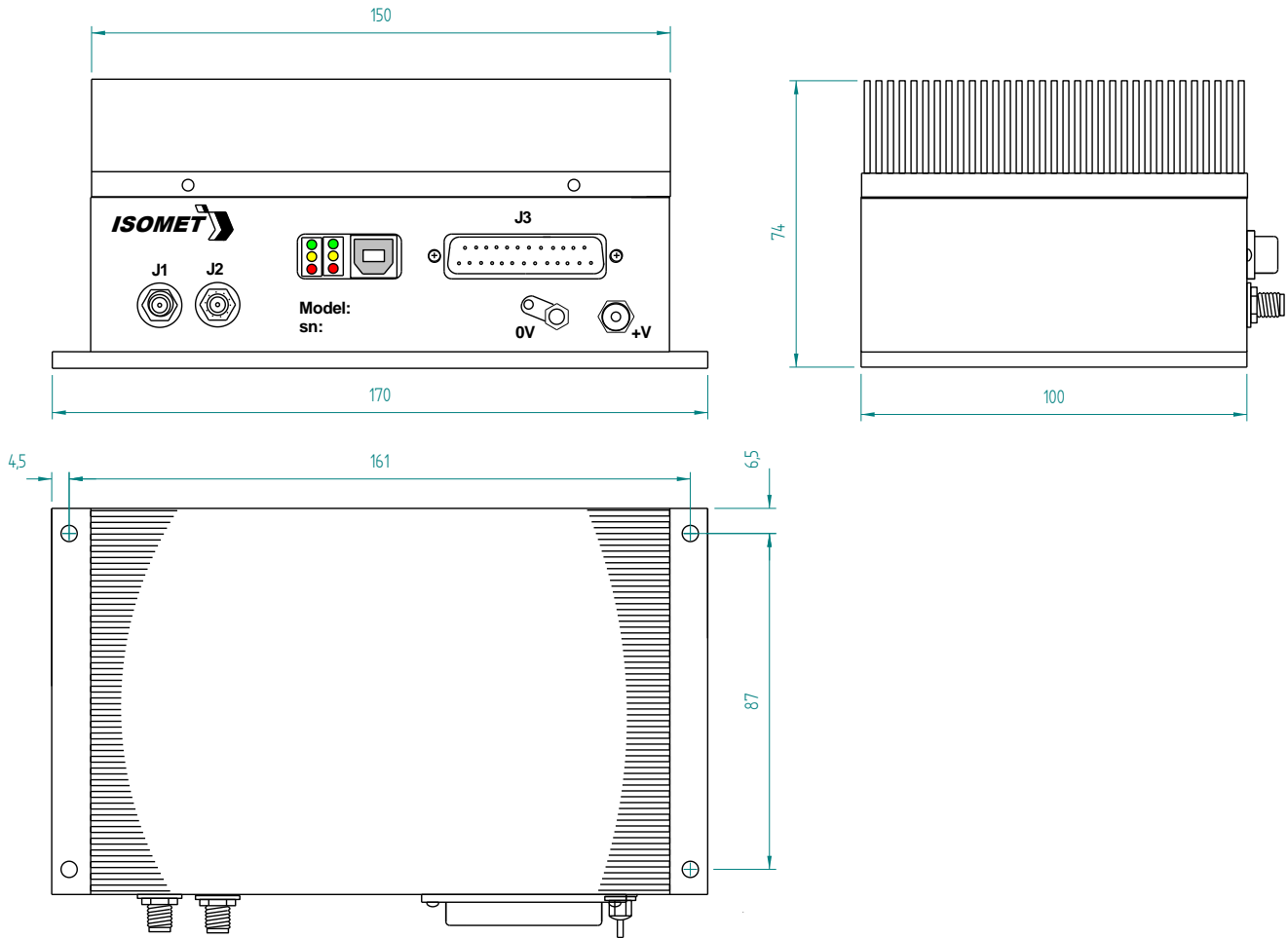
# iSPA-MF4

## Multi-Freq Synthesizer & RF Driver (PRELIMINARY)



0811

### OUTLINE DRAWING



Dimensions: mm

ALL SPECIFICATIONS SUBJECT TO CHANGE WITHOUT NOTICE  
 ISOMET CORP, 5263 Port Royal Rd, Springfield, VA 22151, USA.  
 Tel: (703) 321 8301 Fax: (703) 321 8546  
 E-mail: [ISOMET@ISOMET.COM](mailto:ISOMET@ISOMET.COM) Web Page: [WWW.ISOMET.COM](http://WWW.ISOMET.COM)

Quality Assured.  
 In-house: RF & Digital design  
 Software Development  
 OEM manufacture