

1205-1054

AO Frequency Shifter



1106

The model 1205-1054 is specifically designed for operation as an 80MHz acousto-optic frequency-shifter at 633nm.

FEATURES

- Small Size**
- Low Drive Power**
- Good Temperature Stability**

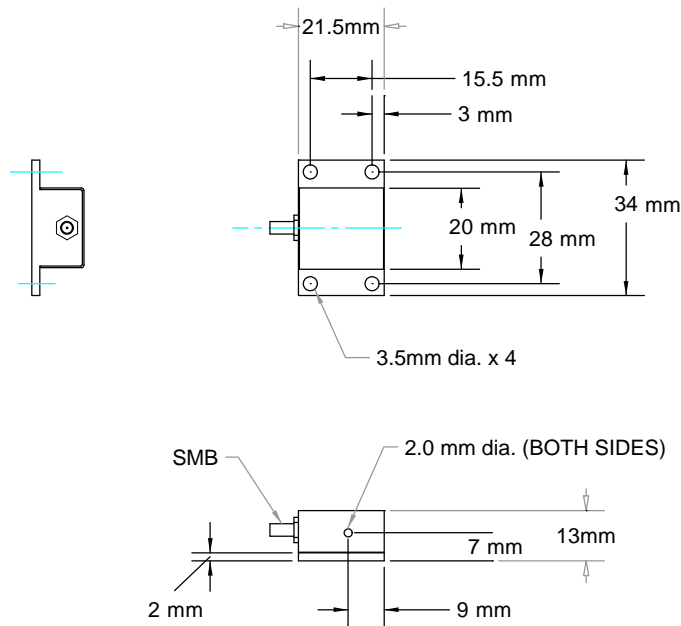
DRIVERS

- Model 522C-L (Digital)**
- Model 532C-L (Analog)**

SPECIFICATIONS

Standard Operating Wavelength:	633nm (Others available)
Interaction Material:	Lead Molybdate (PbMoO4)
Active Aperture:	1mm
Center Frequency:	80MHz
Input Impedance:	50 Ohms (nominal)
VSWR:	<1.5:1 @ 80MHz
RF Drive Power:	0.6 Watt (nominal)
Diffraction Efficiency:	>80% (for 0.15mm beam)
Insertion Loss:	<3%

OUTLINE DRAWING



ALL SPECIFICATIONS SUBJECT TO CHANGE WITHOUT NOTICE

ISOMET CORP, 5263 Port Royal Rd, Springfield, VA 22151, USA.

Tel: (703) 321 8301 Fax: (703) 321 8546

E-mail: ISOMET@ISOMET.COM Web Page: WWW.ISOMET.COM

Quality Assured.

In-house: Crystal Growth,

Optical Polishing,

A/R coating, Vacuum Bonding