

OAM1141-T40S-2

AO Frequency Shifter

(Off axis)



0820

The OAM1141-T40S series is a compact 40MHz AOM specifically designed for acousto-optic frequency shifting. These devices have a preferred orientation and input polarization. The diffracted output polarization is rotated.

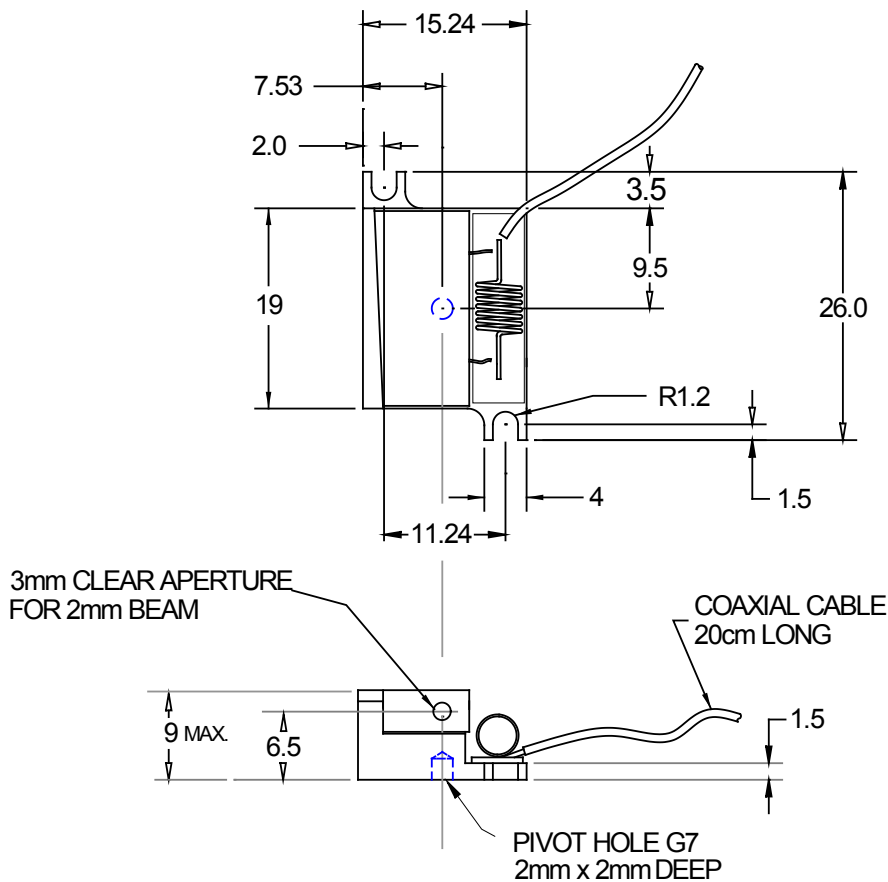
FEATURES

- Small Size
- Low Drive Power

DRIVERS

- Model 521C-L (Digital)
- Model 531C-L (Analog)

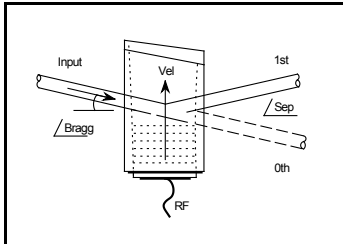
OUTLINE DRAWING



Coax cable can be supplied terminated in SMA connector

ALL SPECIFICATIONS SUBJECT TO CHANGE WITHOUT NOTICE
 ISOMET CORP, 10342 Battleview Parkway, Manassas, VA 20109, USA.
 Tel: (703) 321 8301 Fax: (703) 321 8546
 E-mail: ISOMET@ISOMET.COM Web Page: WWW.ISOMET.COM

Quality Assured.
 In-house: Crystal Growth,
 Optical Polishing,
 A/R coating, Vacuum Bonding



OAM1141-T40S-2



AO Frequency Shifter (Off axis)

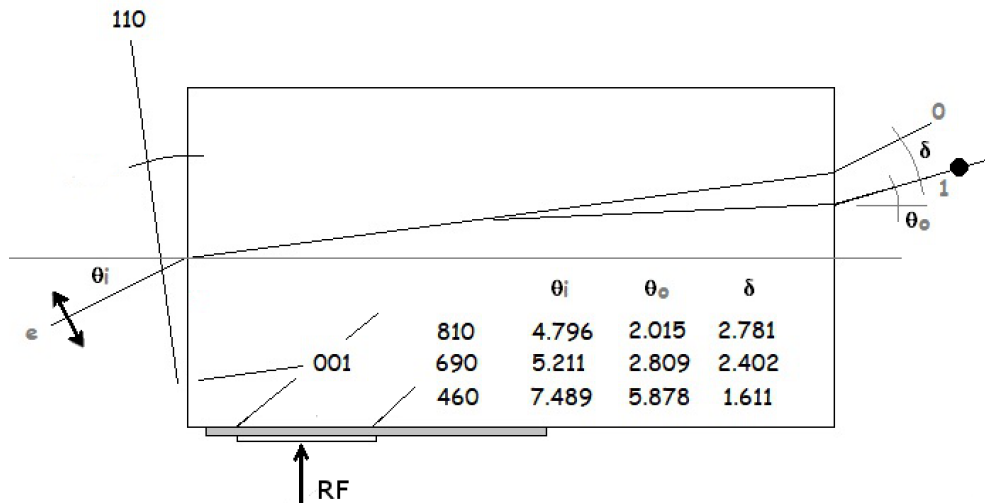
0820

SPECIFICATIONS

Operating Wavelength:	Please specify single wavelength within A/R range
A/R options	400-700nm , 633-830nm
Interaction Material:	Slow Shear TeO ₂
Acoustic velocity	0.664mm/usec
Active Aperture:	2mm
Center Frequency (fc):	40MHz
Input Impedance:	50 Ohms (nominal)
VSWR:	<1.5:1 @ fc
Diffraction Efficiency:	>80%
Insertion Loss:	<3%

PERFORMANCE vs. WAVELENGTH

Wavelength:	460nm	690 nm	810 nm
RF Drive Power:	110mW	240mW	330mW
Input angle θ_i :	7.489 deg	5.211 deg	4.796 deg
Output angle θ_o :	5.878 deg	2.809 deg	2.015 deg
Beam Separation δ :	1.611 deg	2.402 deg	2.781 deg
Input polarization:	Horizontal		
Outputs, polarization:	Zero order	Horizontal	
	First order	Vertical	



ALL SPECIFICATIONS SUBJECT TO CHANGE WITHOUT NOTICE
 ISOMET CORP, 10342 Battlevue Parkway, Manassas, VA 20109, USA.
 Tel: (703) 321 8301 Fax: (703) 321 8546
 E-mail: ISOMET@ISOMET.COM Web Page: WWW.ISOMET.COM

Quality Assured.
 In-house: Crystal Growth,
 Optical Polishing,
 A/R coating, Vacuum Bonding