

AF0-100T-SD-2 series

RF Splitter and Dual Amplifier



3121

The AF0-100T-SD-2 series are a pair of broadband amplifiers connected with a RF splitter and delay line unit. These modules are designed to operate with Isomet Beam Steered AO deflectors such as the D110-T100S-9 (formerly LS110), in applications where the customer provides the low level drive frequency.

The maximum output level is adjustable and can be pre-set using the multi-turn PWR ADJ potentiometer.

Efficient heat transfer from the amplifiers is required and the preassembled heatsink module is fan assisted. The external heat sink should not exceed 60°C in temperature.

SPECIFICATIONS

Input / Output impedance:	50Ω Nominal
Load Mismatch VSWR:	2:1 Max
RF Input Level:	3dBm maximum, 0dBm typical
Harmonics at 1W:	< 25dBc
RF Gain:	> 30dB, adjustable
DC Power Input:	+15Vdc / +24Vdc regulated to ± 1%, < 1.5A total
Temperature Range:	0°C to 60°C ambient. Temperature at mounting face must not exceed 60°C.
Mounting Orientation:	Any

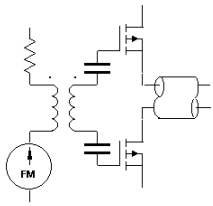
MODELS

Model (a pair)	3dB Bandwidth	Power option (x)
AF0-40T-2- x	25 - 60MHz	-1, -2, -4
AF0-80T-2- x	50 - 100MHz	-1, -2, -4
AF0-100T-2- x	70 - 130MHz	-1, -2, -4
AF0-150T-2- x	125 - 175MHz	-1, -2, -4
AF0-200T-2- x	150 - 250MHz	-1, -2, -4

Power Option	Maximum RF Power
x = 1	> 1.2W (+15Vdc supply)
x = 2	> 2W (+24Vdc supply)
x = 4	> 4W (+24Vdc supply)

ALL SPECIFICATIONS SUBJECT TO CHANGE WITHOUT NOTICE
 ISOMET CORP, 10342 Battlevue Parkway, Manassas, VA 20109, USA.
 Tel: (703) 321 8301 Fax: (703) 321 8546
 E-mail: ISOMET@ISOMET.COM Web Page: WWW.ISOMET.COM

Quality Assured.
In-house: RF & Digital design
Software Development
OEM manufacture



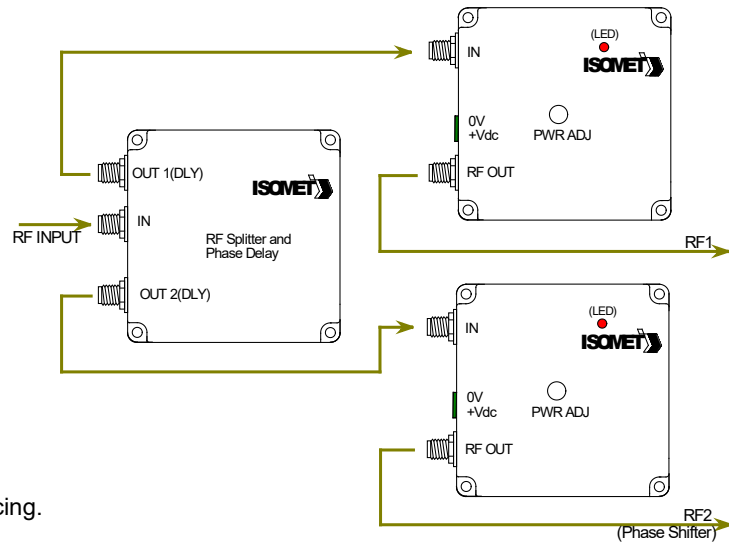
AF0-100T-SD-2 series RF Splitter and Dual Amplifier



3121

OUTLINE DRAWING

Two amplifiers and input splitter-delay box pre-mounted on a fan assisted air-cooled heatsink with common DC input.

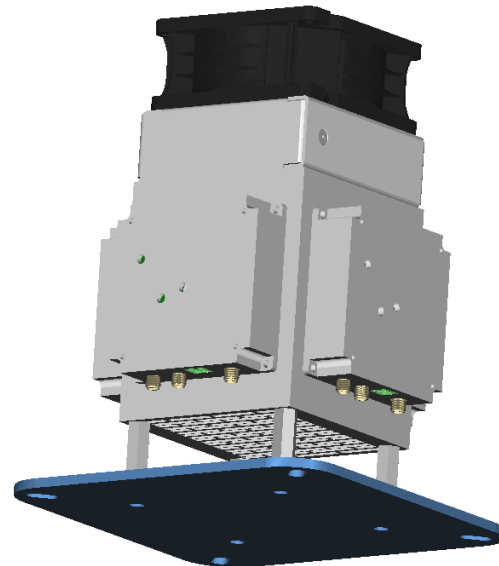
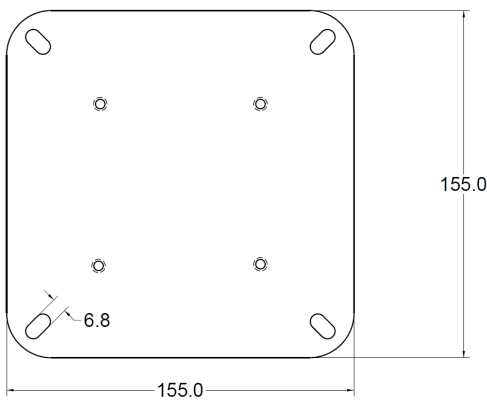


Outline Specs

Overall Height: ~200mm.

Mounting slot width: 7mm

Mounting slots to suit 5" or 125mm pitch hole spacing.



ALL SPECIFICATIONS SUBJECT TO CHANGE WITHOUT NOTICE
 ISOMET CORP, 10342 Battleview Parkway, Manassas, VA 20109, USA.
 Tel: (703) 321 8301 Fax: (703) 321 8546
 E-mail: ISOMET@ISOMET.COM Web Page: WWW.ISOMET.COM

Quality Assured.
 In-house: RF & Digital design
 Software Development
 OEM manufacture