

# AF0-xxxT-2, -4 Series

## RF Amplifier



0322

The AF0-xxxT series are a range of general purpose 2W / 4W amplifiers designed to operate with Isomet AO devices. These are ideal for use with the low power frequency sources such as the Isomet IMS synthesizers. The maximum output level is adjustable and pre-set using the multi-turn PWR ADJ potentiometer. Efficient heat transfer from the driver is required. Mount amplifier base to an external heat sink.

### SPECIFICATIONS

Input / Load impedance:	50Ω nominal
RF Input Level:	3dBm maximum, 0dBm typical
Harmonics at 3W:	< 25dBc
RF Gain:	> 35dB, adjustable
Flatness, (0dBm input):	Better than +/- 1dB across bandwidth
Output rise/fall time:	< 20nsec
DC Power Input:	+18V to +28Vdc regulated to ± 1%, < 700mA
Temperature Range:	0°C to 60°C ambient. Temperature at mounting face must not exceed 70°C.
Mounting Orientation:	Any Ensure driver is mounted on a suitable heatsink.

### MODELS

Model	3dB Bandwidth	Nominal RF Power (24Vdc)
AF0-30T-1-2 or -4	20 - 40MHz	2W, 4W
AF0-45T-1-2 or -4	30 - 60MHz	2W, 4W
AF0-50T-1-2 or -4	40 - 70MHz	2W, 4W
AF0-80T-1-2 or -4	50 - 90MHz	2W, 4W
AF0-85T-1-2 or -4	60 - 110MHz	2W, 4W
AF0-100T-1-1 or -3	65 - 135MHz	1.5W, 3W
AF0-150T-1-1 or -3	100 - 200MHz	1.5W, 3W
AF0-200T-1-1 or -3	125 - 275MHz	1.5W, 3W
AF0-250T-1-1 or -3	175 - 325MHz	1.5W, 3W

**ALL SPECIFICATIONS SUBJECT TO CHANGE WITHOUT NOTICE**  
 ISOMET CORP, 10342 Battlevue Parkway, Manassas, VA 20109, USA.  
 Tel: (703) 321 8301 Fax: (703) 321 8546  
 E-mail: [ISOMET@ISOMET.COM](mailto:ISOMET@ISOMET.COM) Web Page: [WWW.ISOMET.COM](http://WWW.ISOMET.COM)

**Quality Assured.**  
 In-house: RF & Digital design  
 Software Development  
 OEM manufacture



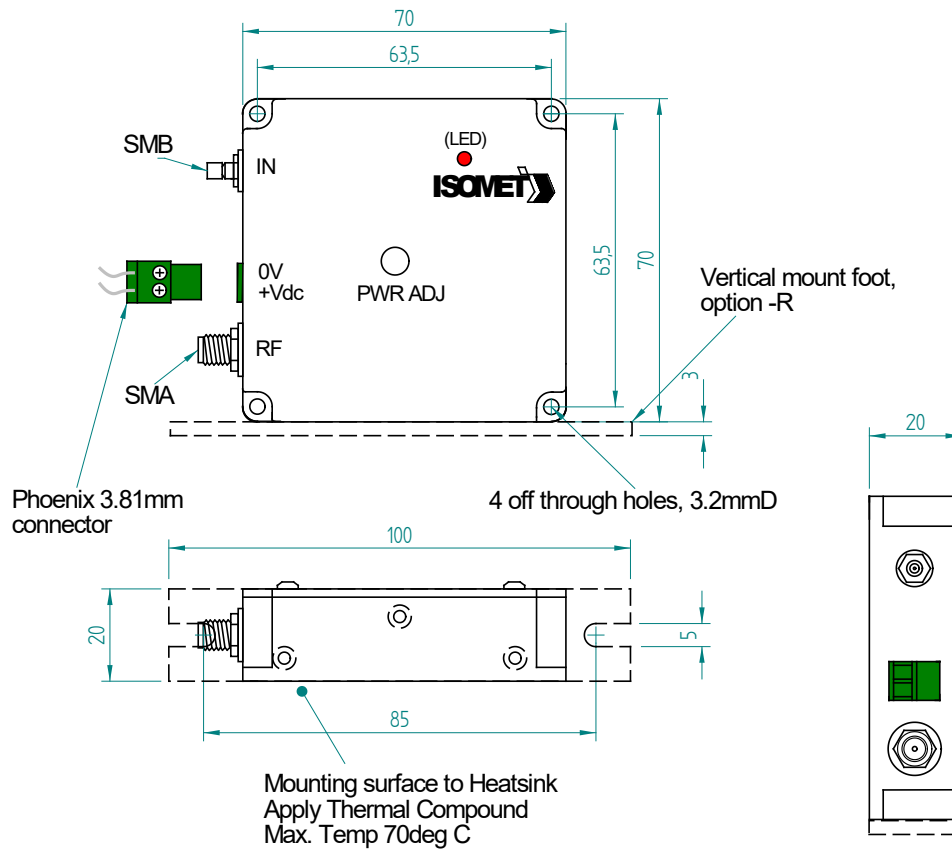
# AF0-xxxT-2, -4 Series RF Amplifier



0322

## OUTLINE DRAWING

Dimensions: mm



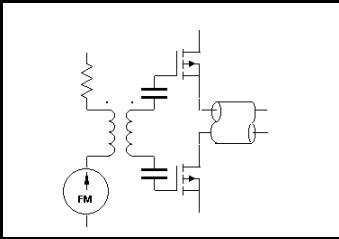
Options, single units:                      Add suffix'es (-x)

Heatsink with fan                              ' -F '   
 Vertical mount foot                            ' -R '

Multiple amplifier mounting, see next page

**ALL SPECIFICATIONS SUBJECT TO CHANGE WITHOUT NOTICE**  
 ISOMET CORP, 10342 Battlevue Parkway, Manassas, VA 20109, USA.  
 Tel: (703) 321 8301      Fax: (703) 321 8546  
 E-mail: [ISOMET@ISOMET.COM](mailto:ISOMET@ISOMET.COM)      Web Page: [WWW.ISOMET.COM](http://WWW.ISOMET.COM)

**Quality Assured.**  
**In-house: RF & Digital design**  
**Software Development**  
**OEM manufacture**



# AF0-xxxT-2, -4 Series RF Amplifier



0322

Accessories: **AFM-FC, Fan assisted air cooled heatsink cube**  
**AFM-CC, Convection air cooled heatsink cube**

Up to four amplifiers pre-mounted on a fan assisted air-cooled heatsink and pre-wired for a common DC input. Amplifiers may be mounted at any orientation (shown here with connectors down).

Any combination of amplifiers listed above may be chosen.

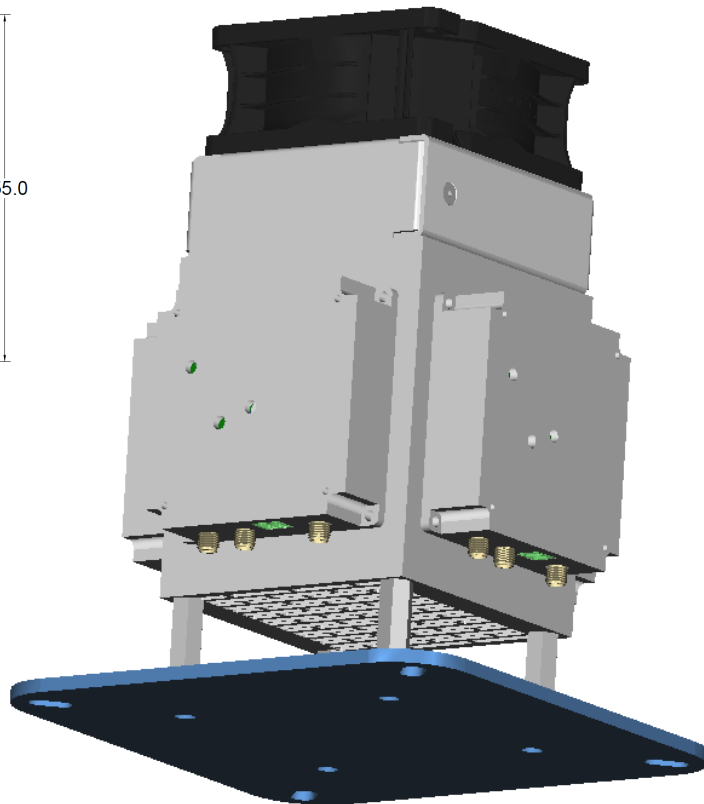
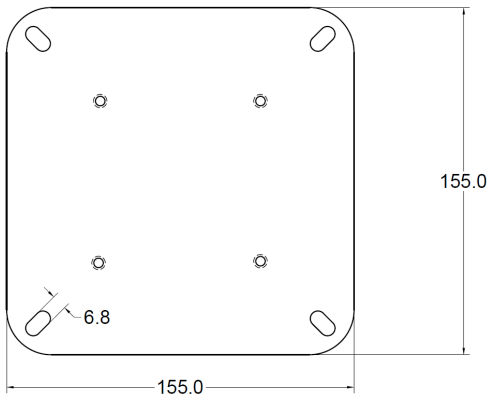
**Order as separate item: AFM-FC (recommended) or AFM-CC**  
e.g. 4 off AF0-85T-1-4 and 1 off AFM-FC

### Outline Specs

Overall Height: ~200mm.

Mounting slot width: 7mm

Mounting slots to suit 5" or 125mm pitch hole spacing.



**ALL SPECIFICATIONS SUBJECT TO CHANGE WITHOUT NOTICE**  
ISOMET CORP, 10342 Battleview Parkway, Manassas, VA 20109, USA.  
Tel: (703) 321 8301 Fax: (703) 321 8546  
E-mail: [ISOMET@ISOMET.COM](mailto:ISOMET@ISOMET.COM) Web Page: [WWW.ISOMET.COM](http://WWW.ISOMET.COM)

**Quality Assured.**  
**In-house: RF & Digital design**  
**Software Development**  
**OEM manufacture**