

AG0-xxxT Series RF Amplifier



2321

The AG0-xxxT series are a range of compact general purpose 1W amplifiers designed to operate with Isomet AO devices. These are ideal for use with the low power frequency sources such as the iMS4-L (-P).

The maximum output level is adjustable and can be pre-set using the multi-turn PWR ADJ potentiometer.

Efficient heat transfer from the driver is required. Mount the base to an external heat sink.

SPECIFICATIONS

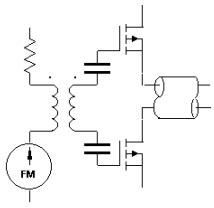
Input / Load impedance:	50Ω nominal
RF Input Level:	3dBm maximum, 0dBm typical
Harmonics at 1W:	< 25dBc
RF Gain:	> 35dB, adjustable
Flatness, (0dBm input)	Better than +/- 1dB across bandwidth
Output rise/fall time	< 20nsec
DC Power Input:	+12 to +15Vdc regulated to ± 1%, <500mA
Temperature Range:	0°C to 60°C ambient. Temperature at mounting face must not exceed 60°C.
Mounting Orientation:	Any Ensure driver is mounted on a suitable heatsink.

MODELS

Model	3dB Bandwidth	RF Power
AG0-40T-1-1	30 - 60MHz	1W
AG0-80T-1-1	60 - 100MHz	1W
AG0-100T-1-1	70 - 130MHz	1W
AG0-150T-1-1	125 -175MHz	1W
AG0-200T-1-1	150 - 250MHz	1W

ALL SPECIFICATIONS SUBJECT TO CHANGE WITHOUT NOTICE
 ISOMET CORP, 10342 Battlevue Parkway, Manassas, VA 20109, USA.
 Tel: (703) 321 8301 Fax: (703) 321 8546
 E-mail: ISOMET@ISOMET.COM Web Page: WWW.ISOMET.COM

Quality Assured.
In-house: RF & Digital design
Software Development
OEM manufacture



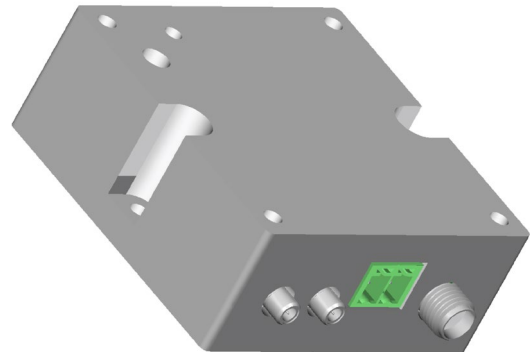
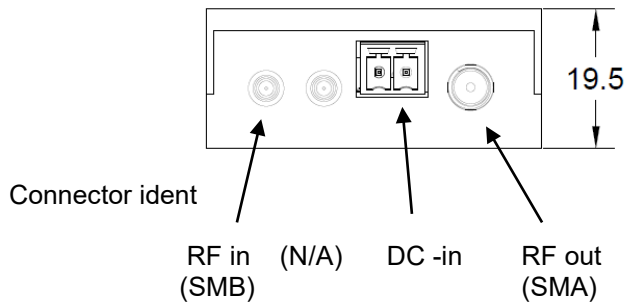
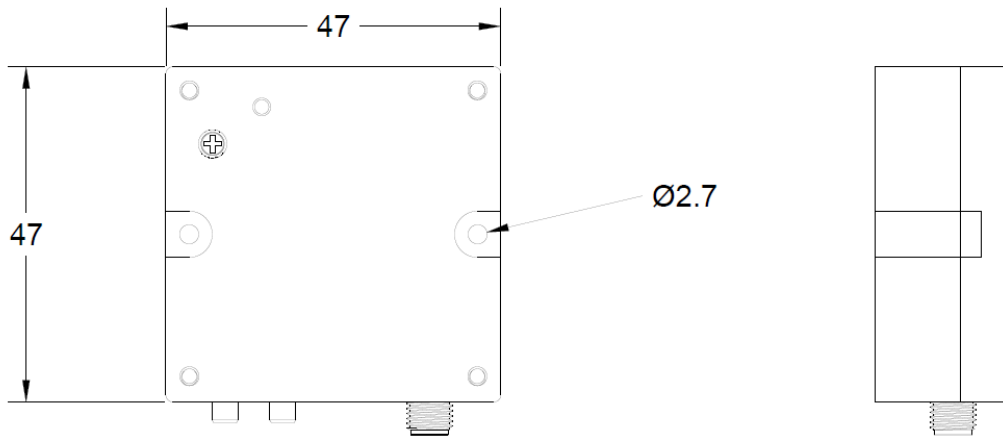
AG0-xxxT Series RF Amplifier



2321

OUTLINE DRAWING

Dimensions: mm

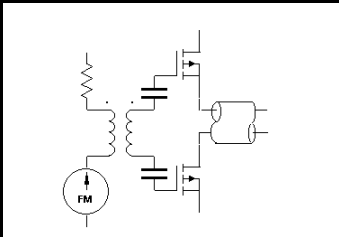


DC input = Phoenix 3.81mm connector (provided)

2.7mm diameter mounting hole spacing = 40mm

ALL SPECIFICATIONS SUBJECT TO CHANGE WITHOUT NOTICE
 ISOMET CORP, 10342 Battlevue Parkway, Manassas, VA 20109, USA.
 Tel: (703) 321 8301 Fax: (703) 321 8546
 E-mail: ISOMET@ISOMET.COM Web Page: WWW.ISOMET.COM

Quality Assured.
In-house: RF & Digital design
Software Development
OEM manufacture



AG0-xxxT Series RF Amplifier



2321

Accessories: **AGM-FC, Fan assisted air cooled heatsink cube**
AGM-CC, Convection air cooled heatsink cube

Up to four amplifiers supplied pre-mounted on an air-cooled heatsink with common DC input.
This option is ideal for use with the quad output iMS4-L or -P synthesizers.
Any combination of amplifier bandwidths may be chosen.
Select each of the four frequency bandwidths "xxx" as listed above for the single amplifier units.

Order as separate item: AGM-FC or AGM-CC

e.g. 4 off AG0-100T-1-1 and 1 off AGM-FC

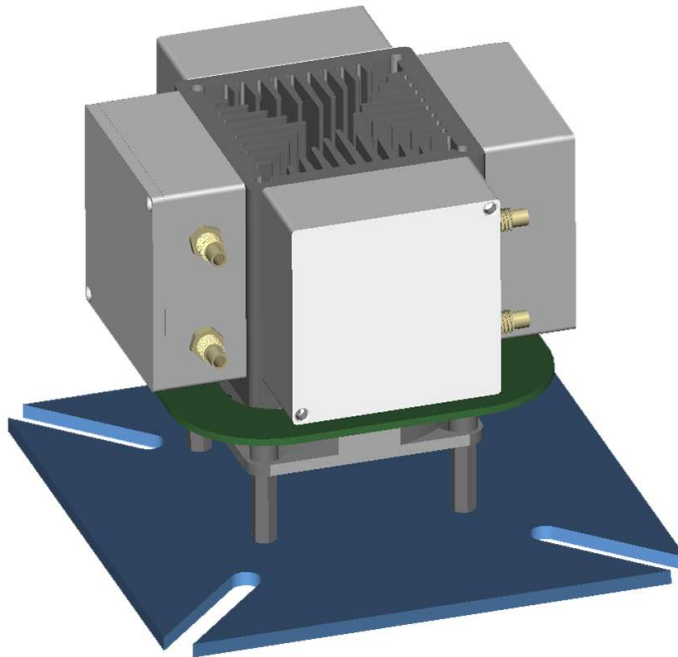
Outline Specs

Overall Height: ~85mm

Base Dimensions: 110 x 110mm

Mounting slot width: 7mm

Mounting slots to suit 5" or 125mm pitch hole spacing.



ALL SPECIFICATIONS SUBJECT TO CHANGE WITHOUT NOTICE
ISOMET CORP, 10342 Battlevue Parkway, Manassas, VA 20109, USA.
Tel: (703) 321 8301 Fax: (703) 321 8546
E-mail: ISOMET@ISOMET.COM Web Page: WWW.ISOMET.COM

Quality Assured.
In-house: RF & Digital design
Software Development
OEM manufacture