

D1319(M)-T180L-1.5

Acousto-Optic Deflector

(PRELIMINARY)



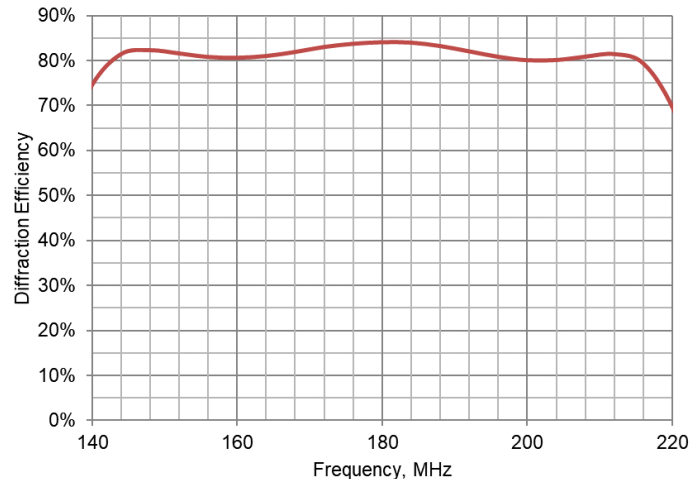
4421

The D1319 is a high speed AO deflector designed for operation in the green spectrum. The deflector incorporates two section acoustic beam steering to produce an efficient uniform scan response. Applications include high speed, multi-point or continuous beam scanning.

SPECIFICATIONS

Spectral Range:	0.36 > 1.5 μ m
Operating A/R Wavelengths:	500-600nm
Optical Power:	5 Watts **
Interaction Medium:	Tellurium Dioxide (TeO ₂)
Acoustic Velocity:	4.2mm/ μ s
Centre Frequency (Fc):	180MHz (nominal)
RF Bandwidth:	>75MHz
Input Impedance:	50 Ω Nominal
VSWR:	<1.5:1 @ Fc
Clear Aperture:	2mm
Active Aperture Height:	1.5mm
Static Insertion Loss	<3% at 0.5 μ m
Reflectivity:	< 0.5%/surface
Laser Polarization:	Vertical preferred
RF Power :	< 1.5 Watts total.
Bragg Angle:	11.4 mrad at 532nm
Typical Scan Angle:	9.5 mrad at 532nm

ESTIMATED SCAN PERFORMANCE at 532nm *

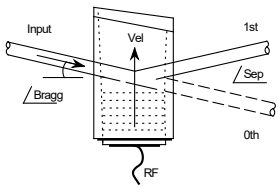


* Single mode input

** For higher powers please contact Isomet

ALL SPECIFICATIONS SUBJECT TO CHANGE WITHOUT NOTICE
 ISOMET CORP, 10342 Battlevue Parkway, Manassas, VA 20109, USA.
 Tel: (703) 321 8301 Fax: (703) 321 8546
 E-mail: ISOMET@ISOMET.COM Web Page: WWW.ISOMET.COM

Quality Assured.
 In-house: Crystal Growth,
 Optical Polishing,
 A/R coating, Vacuum Bonding



D1319(M)-T180L-1.5

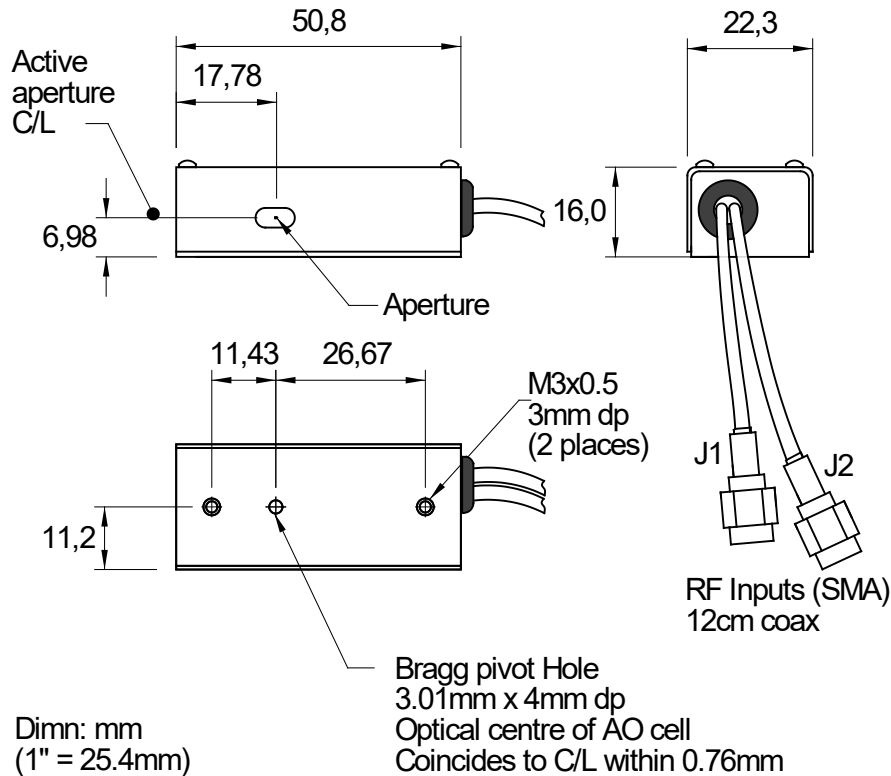
Acousto-Optic Deflector

(PRELIMINARY)



4421

OUTLINE DRAWING



RF DRIVERS

Synthesiser based: iMS4-L (or -P) with 2x AF0-200T-1-3 amplifiers.

External freq' source: 505-2BS splitter/delay/amplifier module.

ALL SPECIFICATIONS SUBJECT TO CHANGE WITHOUT NOTICE
 ISOMET CORP, 10342 Battlevue Parkway, Manassas, VA 20109, USA.
 Tel: (703) 321 8301 Fax: (703) 321 8546
 E-mail: ISOMET@ISOMET.COM Web Page: WWW.ISOMET.COM

Quality Assured.
 In-house: Crystal Growth,
 Optical Polishing,
 A/R coating, Vacuum Bonding