

# D1365-aQ180-4 (532nm)

## Acousto-Optic Deflector



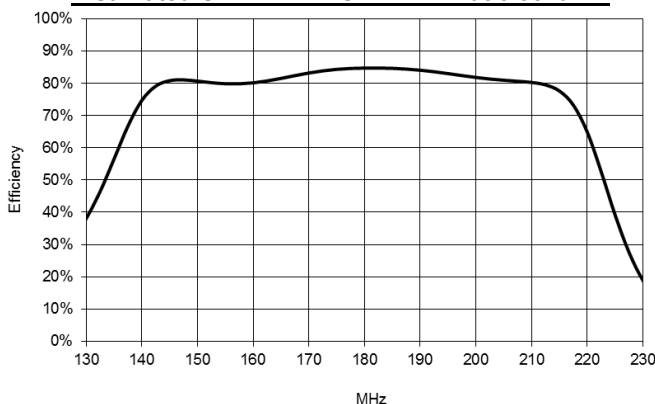
3221

Compact AO Deflector designed for use with 515/532nm lasers. This device employs acoustic beam steering to improve the uniformity of the scan response. Applications include high speed, sequential multi-point scanning or fast sweep operation.

### SPECIFICATIONS

A/R Wavelengths:	515, 532nm
Optical Power:	20 Watts **
Interaction Medium:	Quartz
Acoustic Velocity:	5.7mm/ $\mu$ s
Centre Frequency (Fc):	180MHz (+/- 5% for best scan response)
RF Bandwidth:	60MHz, minimum
Input Impedance:	50 $\Omega$ Nominal
VSWR:	<1.5:1 @ Fc
Clear Aperture:	6.5mm
Active Aperture Height:	4mm (H) x 6mm (W)
Static Insertion Loss	<3% at 0.532 $\mu$ m
Reflectivity:	< 0.5%/Surface
Laser Polarization:	Linear Vertical.
RF Power (total):	20 Watts nominal
Input Bragg Angle:	8.4 mrad
Separation angle at Fc:	16.8 mrad
Typical Scan Angle:	6.5 mrad
<u>Deflector Performance:</u>	Using 3.5 x 3.5mm beam
Efficiency:	~80% across 65MHz scan
Access Time:	0.6 $\mu$ sec
Resolution:	40 <u>resolvable</u> spots >1000 non-resolvable points

**Estimated SCAN PERFORMANCE at 0.532 $\mu$ m \***

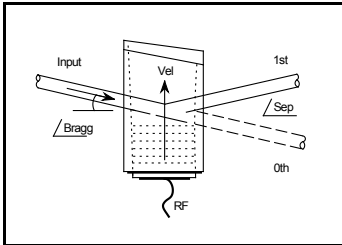


\* Single mode input

\*\* For higher powers please contact Isomet

**ALL SPECIFICATIONS SUBJECT TO CHANGE WITHOUT NOTICE**  
 ISOMET CORP, 10342 Battlevue Parkway, Manassas, VA 20109, USA.  
 Tel: (703) 321 8301 Fax: (703) 321 8546  
 E-mail: [ISOMET@ISOMET.COM](mailto:ISOMET@ISOMET.COM) Web Page: [WWW.ISOMET.COM](http://WWW.ISOMET.COM)

**Quality Assured.**  
 In-house: Crystal Growth,  
 Optical Polishing,  
 A/R coating, Vacuum Bonding



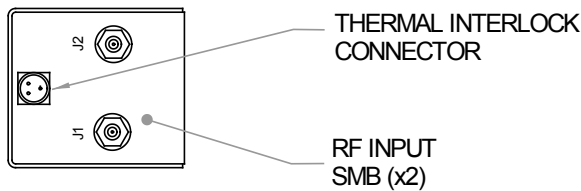
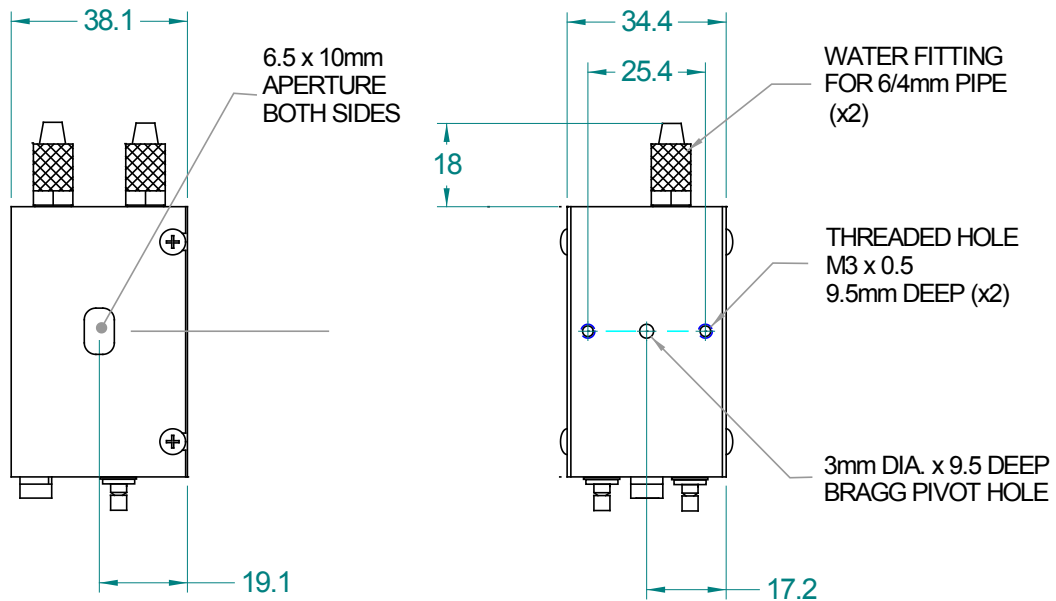
# D1365-aQ180-4 (532nm) Acousto-Optic Deflector



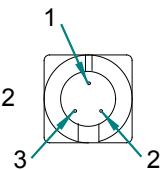
3221

## OUTLINE DRAWING

Dimensions: mm



Interlock Connector: 3-pin Snap  
Normally Closed Contacts : Pins 1 , 2  
Not connected : Pin 3



### Cooling:

All wet surfaces Tellurium copper.  
Corrosion inhibitor recommended.  
Thermal interlock switch opens at 40degC  
**Refer application note AN1906 regarding Coolant Specification**

### Recommended Driver

iMS4-P Synthesizer plus RFA0180-2-10 Amplifier

**ALL SPECIFICATIONS SUBJECT TO CHANGE WITHOUT NOTICE**  
ISOMET CORP, 10342 Battlevue Parkway, Manassas, VA 20109, USA.  
Tel: (703) 321 8301 Fax: (703) 321 8546  
E-mail: [ISOMET@ISOMET.COM](mailto:ISOMET@ISOMET.COM) Web Page: [WWW.ISOMET.COM](http://WWW.ISOMET.COM)

**Quality Assured.**  
In-house: Crystal Growth,  
Optical Polishing,  
A/R coating, Vacuum Bonding