

# M1365-aQ215-3 (VIS) Acousto-Optic Modulator



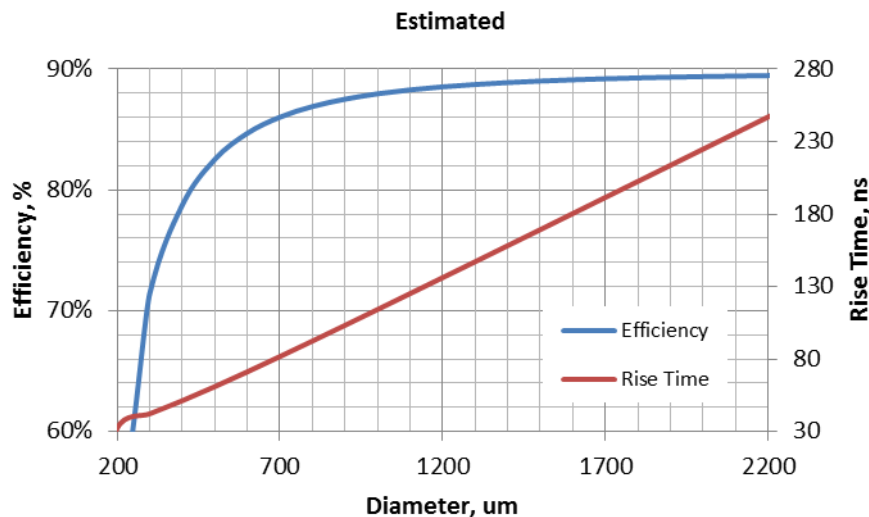
0421

Compact AO Modulator/Frequency Shifter designed for use with high peak power lasers at 532nm.

## SPECIFICATIONS

A/R Wavelengths:	532nm (other AR coatings available)
Optical Power:	10 Watts **
Interaction Medium:	Quartz
Acoustic Velocity:	5.7mm/ $\mu$ s
Centre Frequency (Fc):	215MHz
RF Bandwidth:	5MHz, minimum
Input Impedance:	50 $\Omega$ Nominal
VSWR:	<1.5:1 @ Fc
Clear Aperture:	6.5mm
Active Aperture Height:	3mm (H) x 6mm (W)
Static Insertion Loss	<3% at 0.532 $\mu$ m
Reflectivity:	< 0.5%/Surface
Laser Polarization:	Linear Vertical.
RF Power (total):	14 Watts nominal
Input Bragg Angle:	10.0 mrad
Separation angle at Fc:	20.1 mrad

## Estimated PERFORMANCE at 0.532 $\mu$ m \*

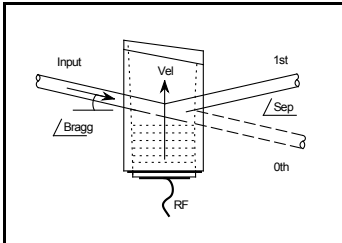


\* Single mode input

\*\* CW or average. For higher powers please contact Isomet

**ALL SPECIFICATIONS SUBJECT TO CHANGE WITHOUT NOTICE**  
 ISOMET CORP, 10342 Battlevue Parkway, Manassas, VA 20109, USA.  
 Tel: (703) 321 8301 Fax: (703) 321 8546  
 E-mail: [ISOMET@ISOMET.COM](mailto:ISOMET@ISOMET.COM) Web Page: [WWW.ISOMET.COM](http://WWW.ISOMET.COM)

**Quality Assured.**  
 In-house: Crystal Growth,  
 Optical Polishing,  
 A/R coating, Vacuum Bonding



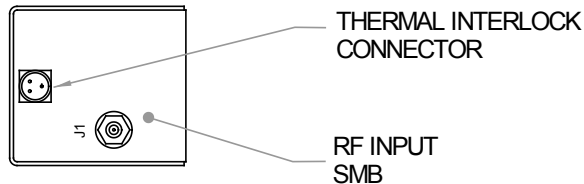
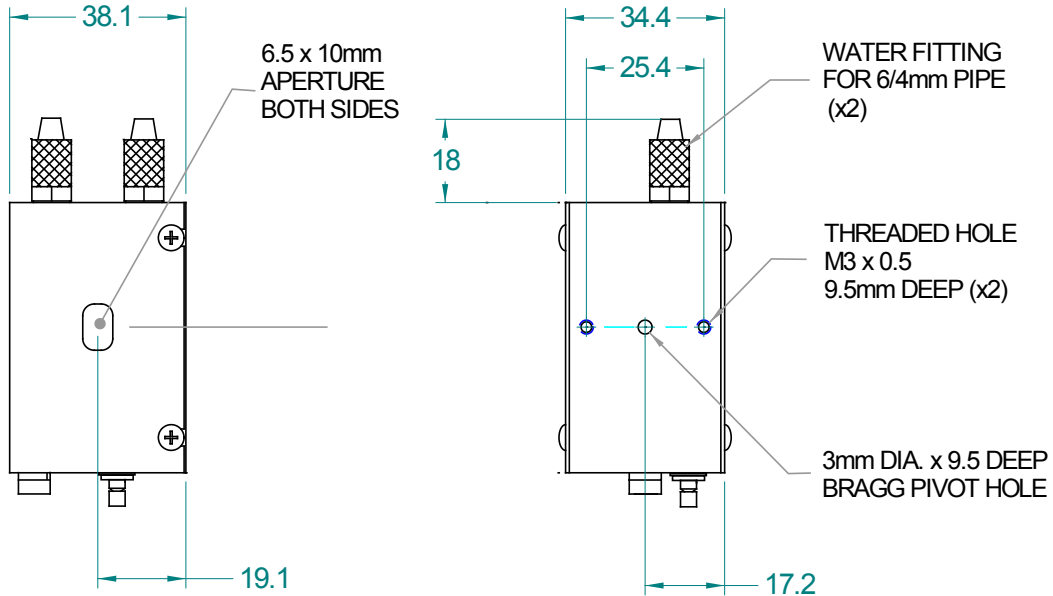
# M1365-aQ215-3 (VIS) Acousto-Optic Modulator



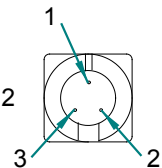
0421

## OUTLINE DRAWING

Dimensions: mm



Interlock Connector: 3-pin Snap  
Normally Closed Contacts : Pins 1, 2  
Not connected : Pin 3



Cooling:

Water cooling optional  
All wet surfaces Tellurium copper.  
Corrosion inhibitor recommended.  
Thermal interlock switch opens at 40degC  
**Refer application note AN1606 regarding Coolant Specification**

## Recommended Driver

Analog and Digital Modulation RFA3215-1-15

**ALL SPECIFICATIONS SUBJECT TO CHANGE WITHOUT NOTICE**  
ISOMET CORP, 10342 Battlevue Parkway, Manassas, VA 20109, USA.  
Tel: (703) 321 8301 Fax: (703) 321 8546  
E-mail: [ISOMET@ISOMET.COM](mailto:ISOMET@ISOMET.COM) Web Page: [WWW.ISOMET.COM](http://WWW.ISOMET.COM)

**Quality Assured.**  
In-house: Crystal Growth,  
Optical Polishing,  
A/R coating, Vacuum Bonding