

M1312-T80L-6-(TC)



Acousto-Optic Modulator

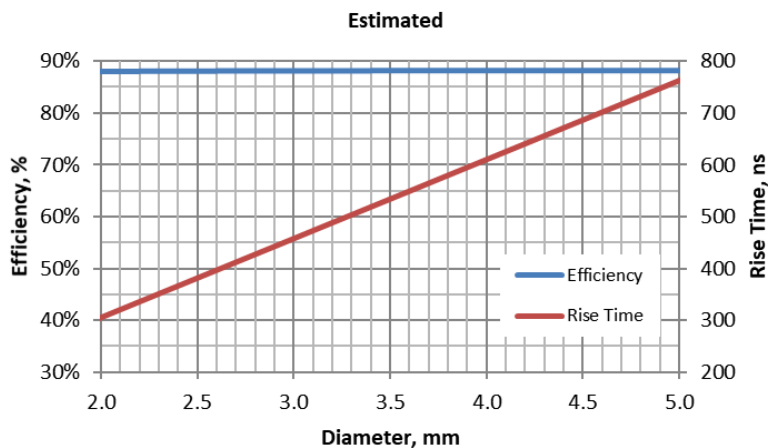
0419

Large aperture AO Modulator designed for High Power NIR Fibre and DPSS laser applications

SPECIFICATIONS

Spectral Range:	0.36 > 1.5 μ m
Standard A/R Wavelengths:	1.03 -1.1 μ m
Optical Power:	500 Watts CW *
Interaction Medium:	Tellurium Dioxide (TeO ₂)
Acoustic Velocity:	4.2mm/ μ s
Centre Frequency (Fc):	80MHz
RF Bandwidth:	30MHz
Input Impedance:	50 Ω Nominal
VSWR:	<1.5:1 @ Fc
Clear Aperture:	8mm
Active Aperture Height:	6mm
Static Insertion Loss	<3% at 1.1 μ m
Reflectivity:	< 0.5%/Surface
Laser Polarization:	Any / vertical preferred *
DC Contrast Ratio:	>1000:1 min (>2000:1 typical)

TYPICAL PERFORMANCE at 1.064 μ m *

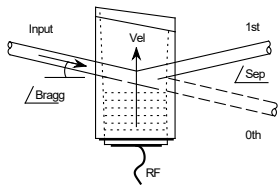


RF Power (nominal)	7 Watts
Bragg Angle (1.07 μ m):	10.1 mrad
Separation Angle at fc :	20.3 mrad

* See foot notes

ALL SPECIFICATIONS SUBJECT TO CHANGE WITHOUT NOTICE
 ISOMET CORP, 10342 Battlevue Parkway, Manassas, VA 20109, USA.
 Tel: (703) 321 8301 Fax: (703) 321 8546
 E-mail: ISOMET@ISOMET.COM Web Page: WWW.ISOMET.COM

Quality Assured.
In-house: Crystal Growth,
Optical Polishing,
A/R coating, Vacuum Bonding



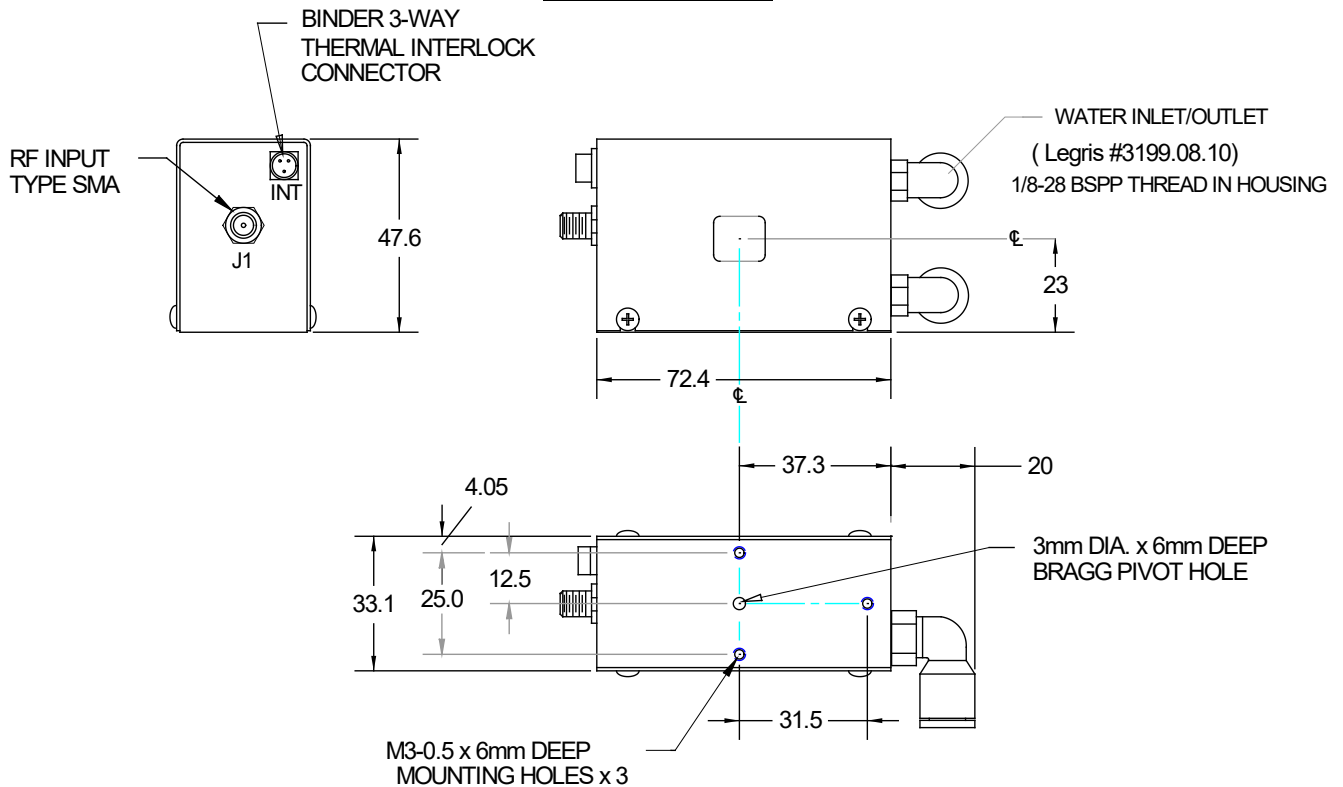
M1312-T80L-6-(TC)



Acousto-Optic Modulator

0419

OUTLINE DRAWING



Dimensions: mm

Suffix -M: M3 metric fixing threads standard.

Case material: Aluminium or Tellurium Copper (option -TC)

Always apply water cooling, < 25degC at >1 litre / minute

Corrosion inhibitor strongly recommended. Thermal interlock switch opens at 40degC

RF DRIVE ELECTRONICS

Digital modulation: 522C-7

Analog modulation: 532C-7

Dual modulation: 552F-7

* Notes:

- For higher powers please contact Isomet.
- Approximately 5% efficiency difference between v-pol and h-pol for the same RF drive power.
- Estimated efficiency applies to single mode input.

ALL SPECIFICATIONS SUBJECT TO CHANGE WITHOUT NOTICE
 ISOMET CORP, 10342 Battlevue Parkway, Manassas, VA 20109, USA.
 Tel: (703) 321 8301 Fax: (703) 321 8546
 E-mail: ISOMET@ISOMET.COM Web Page: WWW.ISOMET.COM

Quality Assured.
In-house: Crystal Growth,
Optical Polishing,
A/R coating, Vacuum Bonding