

Q1062A-FSxxL-H AO Q-SWITCH



0318

The Q1062-FSxxL series are longitudinal (compressional) mode acousto-optic Q-switches designed for use with high power polarized DPSS Nd:YLF and Nd:YAG lasers. These devices exhibit very low insertion loss and high damage threshold. All Isomet AO Q-switches benefit from the company's unparalleled experience in OEM manufacturing, with all key processes maintained in-house. These include optical fabrication, A/R coating and proven high power transducer bonding technology.

Specifications

Acoustic Frequency:	24.0MHz, 27.12MHz or 40.68MHz
Interaction Material:	Fused Silica
Wavelength:	1047nm to 1064nm
A/R Coating:	< 0.2% / surface
Active Aperture, H:	2.0, 3.0, 4.0 and 5.5 mm *
Clear Aperture:	9.0mm
Acoustic Mode:	Longitudinal (compressional)
Rise/Fall time:	109nsec / mm beam waist
Polarization:	Linear
Transmission:	> 99.5% (single pass)
Cavity Insertion Loss:	10% max, <5% typical
Damage Threshold:	> 500MW/cm ²
RF power	Up to 70W (aperture dependent)
Cooling:	Water, 22+/-5 °C, 380ml/min
Input Impedance:	50 Ohms
VSWR:	< 1.2:1

Model Selection:

	<u>Freq</u>		<u>Active Aperture</u>	
Q1083 - FS	xx	L -	H	
24.0MHz	24		2	2mm
27.12MHz	27		3	3mm
40.68MHz	41		4	4mm
			5.5	5.5mm

* Please contact Isomet for alternative apertures.

ALL SPECIFICATIONS SUBJECT TO CHANGE WITHOUT NOTICE

ISOMET CORP, 5263 Port Royal Rd, Springfield, VA 22151, USA.

Tel: (703) 321 8301 Fax: (703) 321 8546

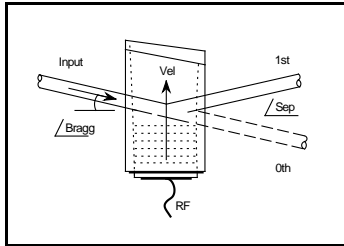
E-mail: ISOMET@ISOMET.COM Web Page: WWW.ISOMET.COM

Quality Assured.

In-house: Crystal Growth,

Optical Polishing,

A/R coating, Vacuum Bonding



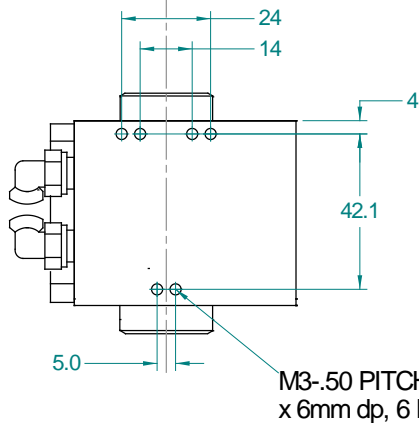
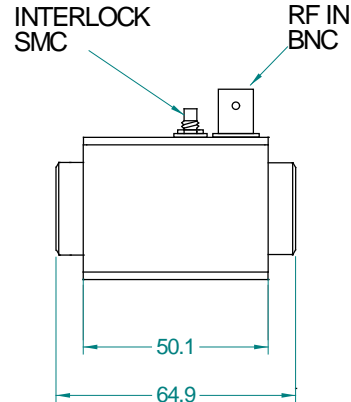
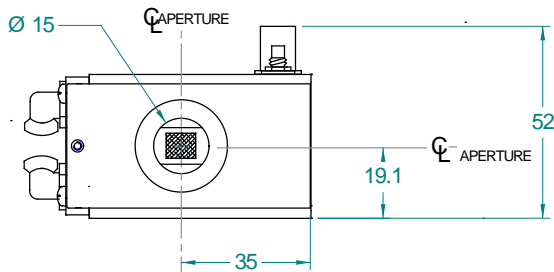
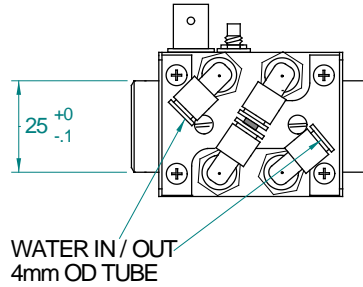
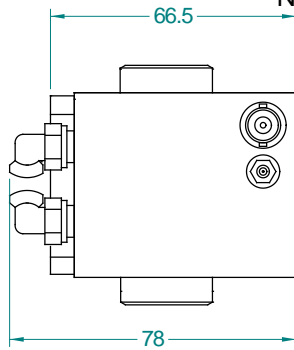
Q1062A-FSxxL-H AO Q-SWITCH



0318

Outline Drawing

Note: Coolant in contact with aluminium case parts



OPERATIONAL CONDITIONS

1. OPERATING CIRCUMFERENCE TEMPERATURE: 5 - 40 degC
2. OPERATING CIRCUMFERENCE HUMIDITY: LESS THAN 80% RH NO CONDENSATION.
3. COOLING WATER: PURE WATER
4. COOLING WATER TEMPERATURE: 22 degC +/- 5 degC
5. COOLING WATER FLUX: MORE THAN 0.38L/min.
6. COOLING WATER PRESSURE: RATING 1kg/cm² MAX 5kg/cm²

Recommended Drive Electronics

RF Driver with Modulation Control

AQS1080-FC-x

ALL SPECIFICATIONS SUBJECT TO CHANGE WITHOUT NOTICE

ISOMET CORP, 5263 Port Royal Rd, Springfield, VA 22151, USA.

Tel: (703) 321 8301 Fax: (703) 321 8546

E-mail: ISOMET@ISOMET.COM Web Page: WWW.ISOMET.COM

Quality Assured.

In-house: Crystal Growth,

Optical Polishing,

A/R coating, Vacuum Bonding