

OAM1343-T100S-9



Large Aperture AO Modulator

Off-Axis

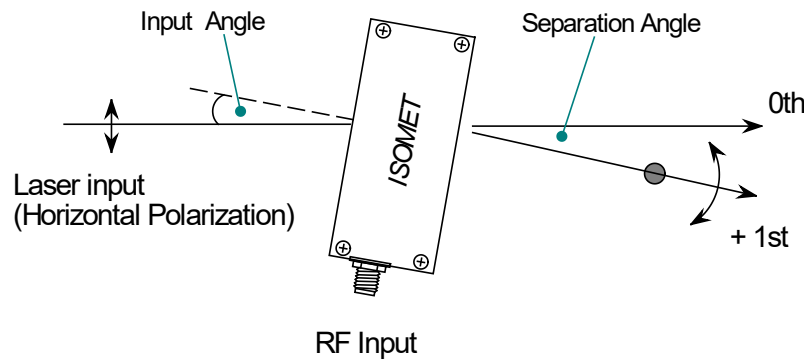
0921

The OAM1343 is a large active aperture AO modulator for NIR laser applications.

SPECIFICATIONS

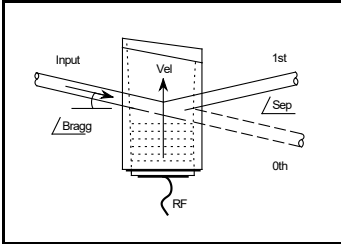
A/R wavelength:	700-900nm
Optimum operating range:	730-820nm
Interaction Material:	TeO ₂ (off-axis shear)
Acoustic Velocity:	667m/s
Center Frequency (f _c):	100MHz
RF Bandwidth:	25MHz
Input Polarization (Required):	Linear, horizontal w.r.t. base
Output polarization:	Linear, vertical w.r.t. base
Active Aperture:	9mm x 9mm
Separation Angle (780nm, 100MHz):	6.7°
Max RF Power:	2.5W
Input impedance:	50 ohm
Efficiency:	80% typ' at 2.5W RF
Optical rise time	975nsec per mm beam diameter

Preferred Orientation



ALL SPECIFICATIONS SUBJECT TO CHANGE WITHOUT NOTICE
 ISOMET CORP, 10342 Battleview Parkway, Manassas, VA 20109, USA.
 Tel: (703) 321 8301 Fax: (703) 321 8546
 E-mail: ISOMET@ISOMET.COM Web Page: WWW.ISOMET.COM

Quality Assured.
 In-house: Crystal Growth,
 Optical Polishing,
 A/R coating, Vacuum Bonding



OAM1343-T100S-9

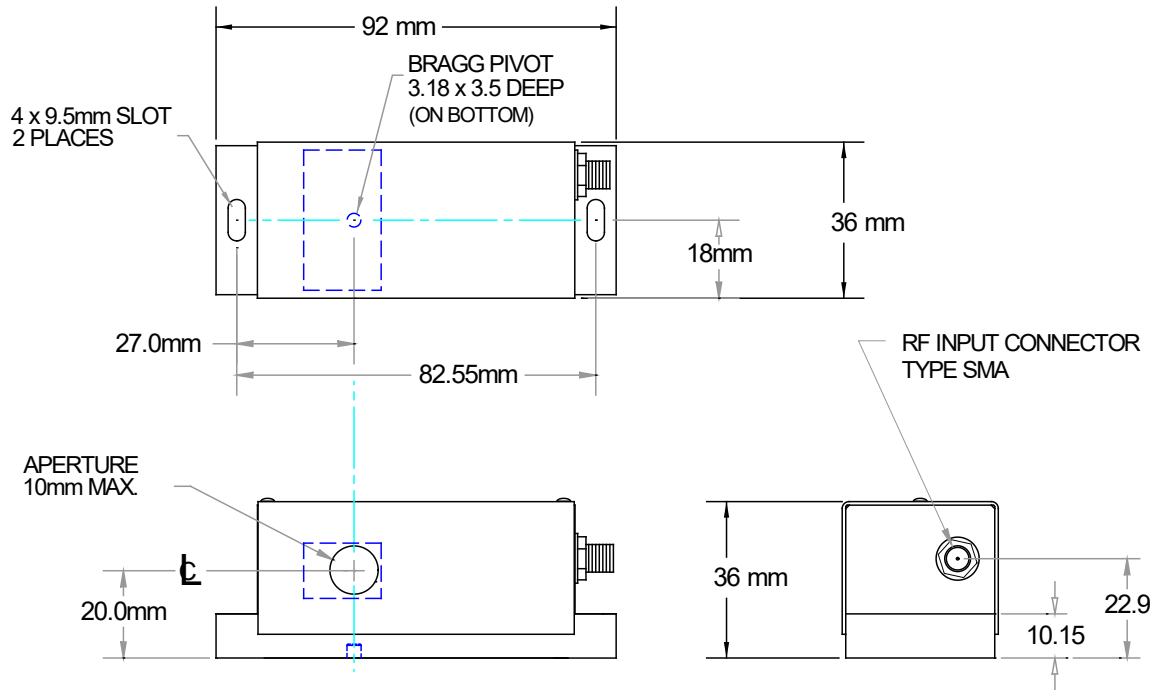


Large Aperture AO Modulator

Off-Axis

0921

OUTLINE DRAWING



Recommended Drive Electronics

iMS4 Frequency Synthesizer and AG0-100T-4 Amplifier
or
553F-2-100 Fixed Frequency Driver

ALL SPECIFICATIONS SUBJECT TO CHANGE WITHOUT NOTICE
ISOMET CORP, 10342 Battlevue Parkway, Manassas, VA 20109, USA.
Tel: (703) 321 8301 Fax: (703) 321 8546
E-mail: ISOMET@ISOMET.COM Web Page: WWW.ISOMET.COM

Quality Assured.
In-house: Crystal Growth,
Optical Polishing,
A/R coating, Vacuum Bonding