

# OAM1344-T100-9



## Large Aperture AO Modulator Off-Axis

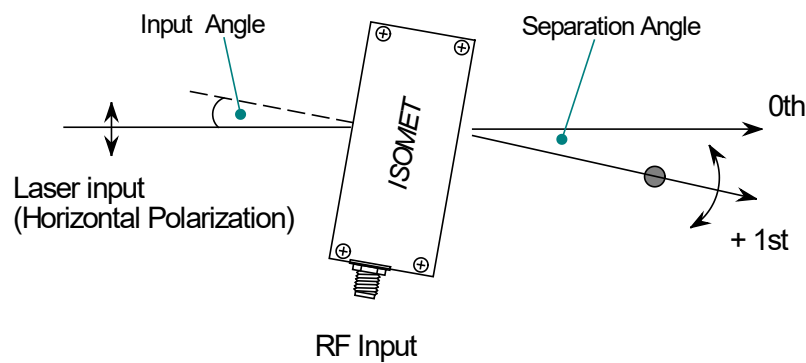
0921

The OAM1343 is a large active aperture AO modulator for NIR laser applications.

### SPECIFICATIONS

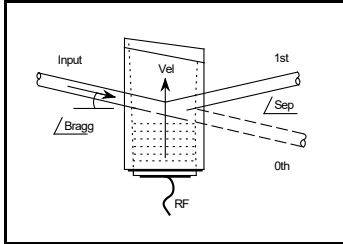
A/R wavelength:	800-1000nm
Optimum operating range:	830-920nm
Interaction Material:	TeO <sub>2</sub> (off-axis shear)
Acoustic Velocity:	671m/s
Center Frequency (f <sub>c</sub> ):	100MHz
RF Bandwidth:	25MHz
Input Polarization (Required):	Linear, horizontal w.r.t. base
Output polarization:	Linear, vertical w.r.t. base
Active Aperture:	9mm x 9mm
Separation Angle (880nm, 100MHz):	7.5°
Max RF Power:	3.0W
Input impedance:	50 ohm
Efficiency:	80% typ' at 2.5W RF
Optical rise time	975nsec per mm beam diameter

### Preferred Orientation



**ALL SPECIFICATIONS SUBJECT TO CHANGE WITHOUT NOTICE**  
 ISOMET CORP, 10342 Battleview Parkway, Manassas, VA 20109, USA.  
 Tel: (703) 321 8301 Fax: (703) 321 8546  
 E-mail: [ISOMET@ISOMET.COM](mailto:ISOMET@ISOMET.COM) Web Page: [WWW.ISOMET.COM](http://WWW.ISOMET.COM)

**Quality Assured.**  
 In-house: Crystal Growth,  
 Optical Polishing,  
 A/R coating, Vacuum Bonding



# OAM1344-T100-9

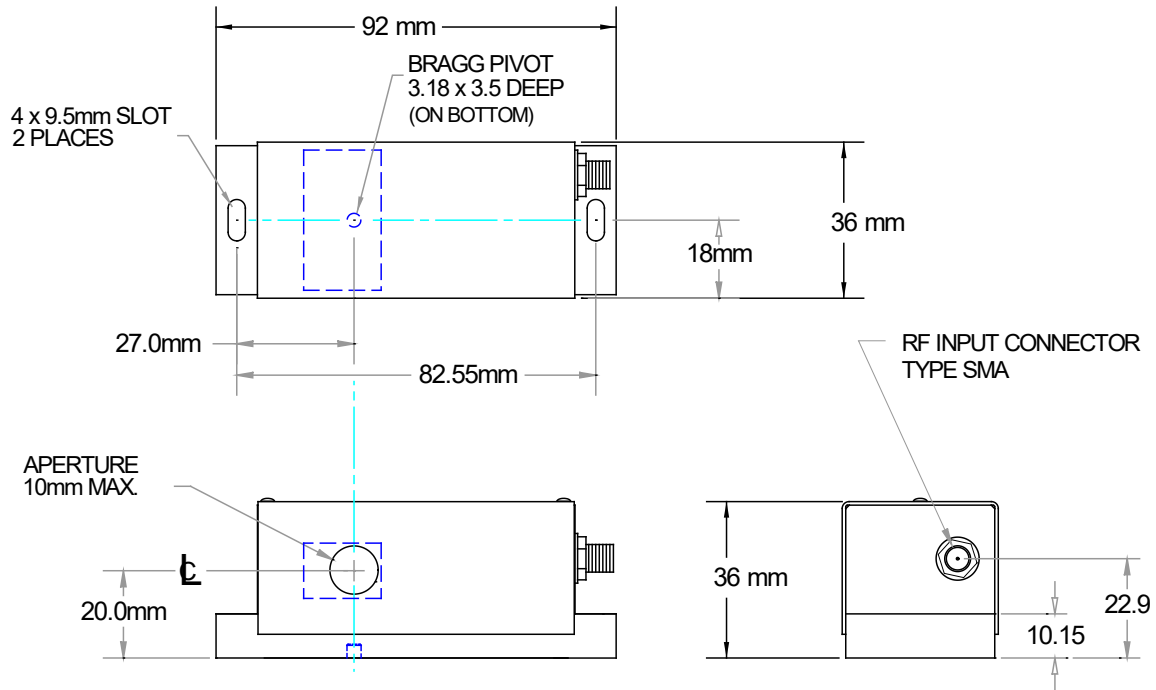


## Large Aperture AO Modulator

Off-Axis

0921

### OUTLINE DRAWING



### Recommended Drive Electronics

ims4 Frequency Synthesizer and AF0-100T-4 Amplifier  
or  
553F-2-100 Fixed Frequency Driver

**ALL SPECIFICATIONS SUBJECT TO CHANGE WITHOUT NOTICE**  
ISOMET CORP, 10342 Battlevue Parkway, Manassas, VA 20109, USA.  
Tel: (703) 321 8301 Fax: (703) 321 8546  
E-mail: [ISOMET@ISOMET.COM](mailto:ISOMET@ISOMET.COM) Web Page: [WWW.ISOMET.COM](http://WWW.ISOMET.COM)

**Quality Assured.**  
In-house: Crystal Growth,  
Optical Polishing,  
A/R coating, Vacuum Bonding