

535C-L,C-2

RF Driver



0916

The 535C series RF Drivers are designed to operate with Isomet 200MHz high speed AO modulators for the proportional (analog) control of laser beam intensity.

The driver design comprises of a precision crystal oscillator, wideband RF mixer, and Class A power amplifier module. The external analog modulation input signal (Mod) is applied to the mixer. This generates in a double sideband amplitude modulated signal at the 200MHz carrier frequency. A multi-turn potentiometer is provided to set the optimum output power level.

Efficient heat transfer from the driver requires that the mounting base be attached to an external heat sink or heat conducting surface. The supply to the 535C-2 driver is internally regulated and thus will accept a wide DC power input range. The DC input is not internally regulated on C-L variant.

SPECIFICATIONS

Output impedance:	50Ω Nominal
Load Mismatch VSWR:	2:1 Max
RF On-Off Ratio:	>40dB
Modulation Input :	Analog, 0 - 1V for 100% depth of modulation. 50 ohm input impedance.
Frequency Accuracy:	± 25ppm
Frequency Stability:	± 25ppm
DC Power Input: 535C-L	+9Vdc / +12Vdc regulated to ± 1%, < 250mA
535C-2	+22V to +30Vdc regulated to ± 1%, < 500mA
Temperature Range:	0°C to 60°C ambient, temperature at mounting face must not exceed 70°C.
Mounting Orientation:	Any
Dimensions:	See Outline, reverse side.

PERFORMANCE

Model	Centre Frequency	Minimum Rise Time	RF Drive Power	Supply
535C-L	200MHz	3nsec	>0.7 W	+9V
535C-L	200MHz	3nsec	>1.1 W	+12V
535C-2	200MHz	3nsec	>2.2 W	+22 to +30V

ALL SPECIFICATIONS SUBJECT TO CHANGE WITHOUT NOTICE

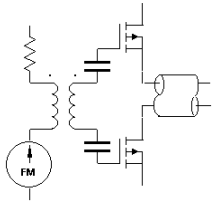
ISOMET CORP, 5263 Port Royal Rd, Springfield, VA 22151, USA.

Tel: (703) 321 8301 Fax: (703) 321 8546

E-mail: ISOMET@ISOMET.COM Web Page: WWW.ISOMET.COM

Quality Assured.

**In-house: RF & Digital design
Software Development
OEM manufacture**



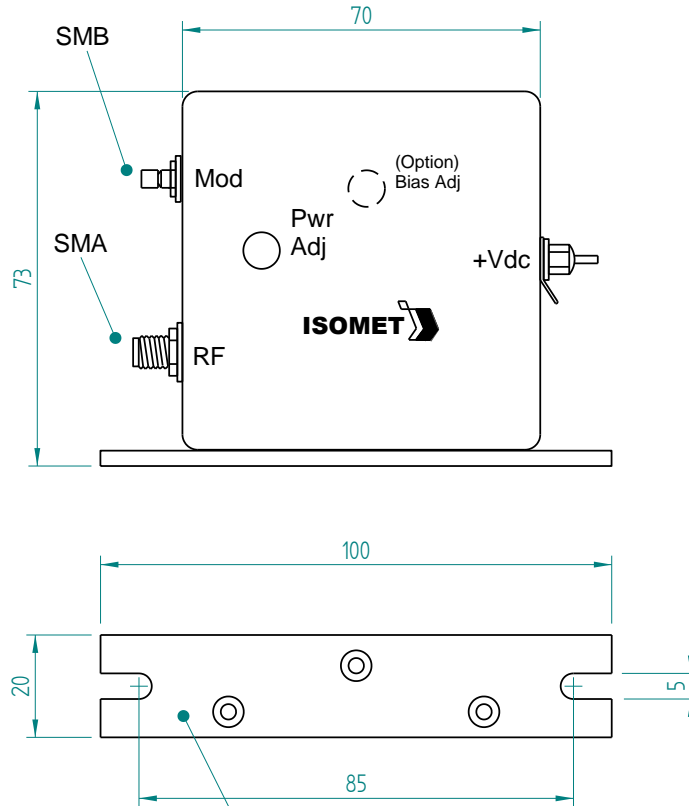
535C-L,C-2

RF Driver



0916

OUTLINE DRAWING



Mounting Flange to Heatsink
Apply Thermal Compound
Max. Temp 70deg C

Dim'n : mm

* Options

Add Suffix

Input modulation BIAS : (over-rides modulation input)	:	' -B '
0-5V modulation	:	' -V '
0-10V modulation	:	' -X '

For TTL compatible (On:Off) control, see 525C-x series.

ALL SPECIFICATIONS SUBJECT TO CHANGE WITHOUT NOTICE

ISOMET CORP, 5263 Port Royal Rd, Springfield, VA 22151, USA.

Tel: (703) 321 8301 Fax: (703) 321 8546

E-mail: ISOMET@ISOMET.COM Web Page: WWW.ISOMET.COM

Quality Assured.

**In-house: RF & Digital design
Software Development
OEM manufacture**