

IMS4-P-Fx2-opt (quad output)



High Speed Synthesizer, frequency doubled

0417

Description

The IMS4-P-Fx2 is a frequency doubled version of the *IMS4-P*. These programmable frequency sources are based on a quad output direct digital synthesizer (DDS) offering the user a wide variety of frequency generation and signal control options. The IMS4 is designed around a modular concept. When mated to one of many compatible power amplifiers, the IMS4 will suit the drive requirements of the majority of Isomet AO devices.

The IMS4-P-Fx2 functions are controlled via high speed USB-III or RS422. (GbE option available). Windows 7 & 10 GUI software and a comprehensive C++ SDK are both provided. The SDK defines all the function calls that are possible on an IMS system and allows a system integrator to quickly and efficiently develop application software at a high level of abstraction. All low level protocol communication is handled by the library functions. (DLL call functions).

DIRECT Mode

The IMS4 outputs are controlled directly from the host PC.

All output parameters can be set independently. The tuning rate is limited by the host PC interface.

Available Functions:

- Single tone (static frequency) output.
- Zero to Max Amplitude control.
- 0-360° phase shift between outputs
- Differential frequency offset between the outputs

SWEEP Mode

Frequency sweep parameters are configured at the host PC and downloaded directly to the DDS chip. A single trigger (via PC or external input) initiates the sweep. The increment step value and step duration are user programmable.

Available Functions:

- Up or Down
- Dwell or No dwell at completion

The sweep mode offers the fastest frequency scan capability, with a minimum dwell time of 8nsec per frequency increment. Amplitude and phase values remain constant

IMAGE Mode (20M)

The IMS4-P-Fx2 outputs are controlled from a frequency "image" data programmed into dedicated memory.

There are two 128M x 16 memory banks each capable of storing over 10 million frequency/amplitude/phase points in multiple image files. Phase values are automatically inserted from a user defined look-up-table (LUT) pre-loaded during initialization.

The stored image points each comprise of 32-bit Frequency, 10-bit Amplitude, 14-bit Phase and 12-bit ancillary control. Output data is addressed in sequence under the control of external or internally generated trigger and clock signals.

The RF signal responds to a new data set at each valid update clock. The minimum dwell time per frequency point is less than 1usec. The user can specify trigger, clock, repeat, and output delay functions.

The image mode is highly flexible and allows fast continuous data throughput. Up to 256 frequency unique images can be downloaded including uni-directional, bi-directional and random frequency patterns. New image data can up-loaded from the host simultaneously during output play. A key advantage of this mode is that each frequency point may be modified by the LUT, providing an efficient method of applying phase control and amplitude calibration to the downloaded image data. Active phase steering across the multiple RF outputs is ideal for Isomet (acoustic) beam steered AO deflectors.

Local Tone Buffer

Similar to the Image mode except the data is limited to 256 separately programmable frequency/amplitude/phase points.

These points may be addressed randomly from an 8-bit external port. Outputs change value immediately after a new buffer address is applied.

ALL SPECIFICATIONS SUBJECT TO CHANGE WITHOUT NOTICE

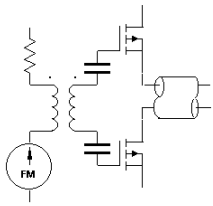
ISOMET CORP, 5263 Port Royal Rd, Springfield, VA 22151, USA.

Tel: (703) 321 8301 Fax: (703) 321 8546

E-mail: ISOMET@ISOMET.COM Web Page: WWW.ISOMET.COM

Quality Assured.

**In-house: RF & Digital design
Software Development
OEM manufacture**



IMS4-P-Fx2-opt (quad output)



High Speed Synthesizer, frequency doubled

0417

Specification

Maximum Frequency Bandwidth (full range):	150 – 400 MHz
Outputs:	Quad independent outputs, phase continuous
Frequency resolution (full range):	32 bit
Frequency settling (Image mode) :	< 40nsec
Max. output rate (Image mode):	1.2 MHz (800nsec minimum dwell per image point)
Frequency stability (internal reference clock):	+/- 25ppm
Phase control (Dual output version):	+/- 180deg differential between outputs
Maximum Output Power per output:	> 16dBm. (50mW) at 250MHz
Output power flatness:	< +/- 1dB per octave, with no amplitude programming
Harmonics:	> 25dBc
RF On:Off contrast ratio	> 40dBc
Max power adjustment range:	10dB via digital potentiometer
Amplitude resolution (Image mode data):	10 bit (zero to max power)
Amplitude modulation, external input(s) *:	0-5V (zero to max power)
* Available configurations	One input per channel, Override, Disable
DC Supply:	+24V nominal @ 1A, (Input voltage range +15V to +30V)
Communications:	USB III, RS422, Gigabit Ethernet (option).
External Clock, Trigger & Gate Inputs:	5V tolerant LVTTTL compatible, SMA connectors (std) 50MBd optical receiver, POF (option)
Memory capacity:	Configuration dependent: 4-40 million frequency data points,
Auxiliary I/O features	Up to 16 analog and 16 digital I/O signals offering a variety of programmable test and control options
Digital GPIO:	5V opto-isolated.

Optional Features

USB III, RS422 serial (included as standard)
GbE Ethernet
Optical receivers

Options: -opt

-
-T
-O

Associated models

Base model, 0.5MB internal memory
Fundamental frequency , 20-200MHz:
Power Amplifier Modules:

see separate data sheet, iMS4-L
see separate data sheets, iMS4-L or iMS4-P
see separate data sheets, iMPAxxx-4 , 500C series & others

ALL SPECIFICATIONS SUBJECT TO CHANGE WITHOUT NOTICE

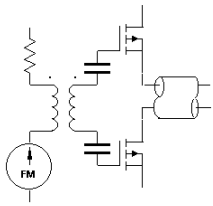
ISOMET CORP, 5263 Port Royal Rd, Springfield, VA 22151, USA.

Tel: (703) 321 8301 Fax: (703) 321 8546

E-mail: ISOMET@ISOMET.COM Web Page: WWW.ISOMET.COM

Quality Assured.

In-house: RF & Digital design
Software Development
OEM manufacture



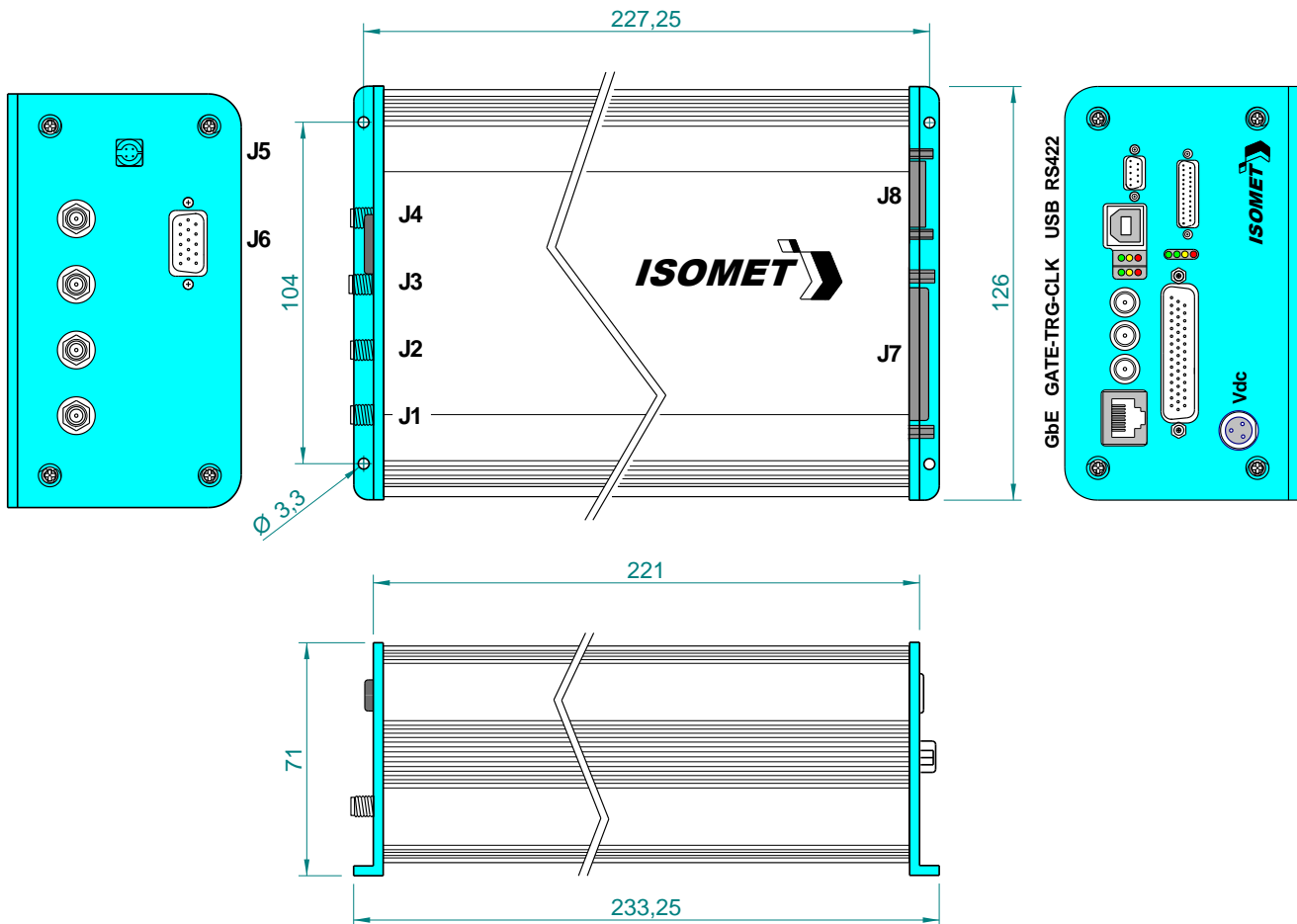
IMS4-P-Fx2-opt (quad output)



High Speed Synthesizer, frequency doubled

0417

Outline Drawing



Connector Summary

All digital I/O signals on J6, J9 are ESD protected to IEC6100-4-2 and include EMI suppression.

- J1,2,3,4:** SMA RF outputs
 - J5:** Binder 719, Interlock NC contact input (Thermal interlock from AO device) *
 - J6:** 15-way High density female D-type, (Ext'l diagnostics) *
 - J7:** 44-way High density female D-type (GPIO),
 - J8:** 26-way High density female micro D-type,(Control)
- Vdc** 3-way TINI-Q male socket. (15-24Vdc voltage Input)

ALL SPECIFICATIONS SUBJECT TO CHANGE WITHOUT NOTICE

ISOMET CORP, 5263 Port Royal Rd, Springfield, VA 22151, USA.

Tel: (703) 321 8301 Fax: (703) 321 8546

E-mail: ISOMET@ISOMET.COM Web Page: WWW.ISOMET.COM

Quality Assured.

In-house: RF & Digital design
Software Development
OEM manufacture